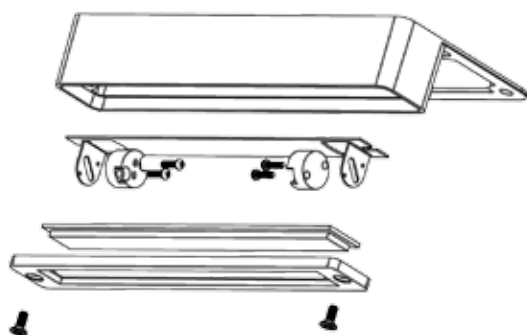
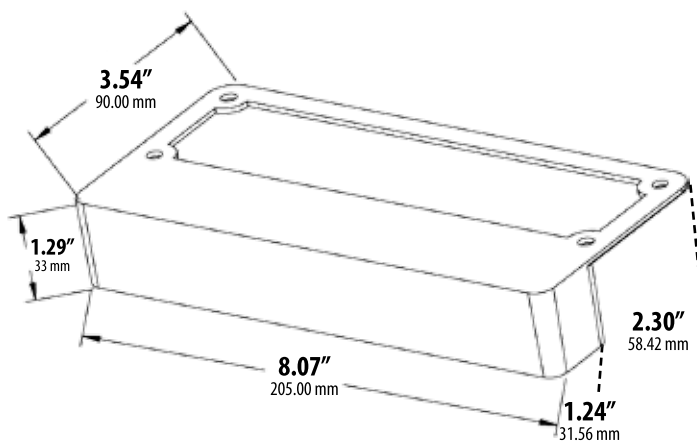


LV639

CAST BRASS BRICK STEP LIGHT



- ▶ **Material:** Brass
- ▶ **Lens:** Frosted, Heat Resistant, Tempered Glass
- ▶ **Lamp:** JC Bi-Pin Base (2 x 20W Maximum)

MODEL NUMBER	LAMP TYPE	ILLUMINANT TYPE	WATTS (W)	VOLTS (V)	LAMP(S) INCLUDED?
LV639	JC	HALOGEN	2 x 20	12	YES
LV-LED639	JC-LED	LED	2 x 2.5	12	YES

- ▶ **Available Finish:** Weathered Brass
- ▶ **Recessed Mount**
- ▶ **Connector Available:** P-CN01 (sold separately)
- ▶ **ETL Approval Pending**

Overall Dimensions:
1.29"H x 8.07"W x 3.54"D

Weight: 1.6 lbs
Approximate Wire Length: 38"
Box Dimensions: 1.88"H x 8.75"W x 3.94"D
Lamp Included



DABMAR LIGHTING INCORPORATED

2140 Eastman Ave . Oxnard, CA 93030 . 805.604.9090 . f: 805.604.9050 . www.dabmar.com