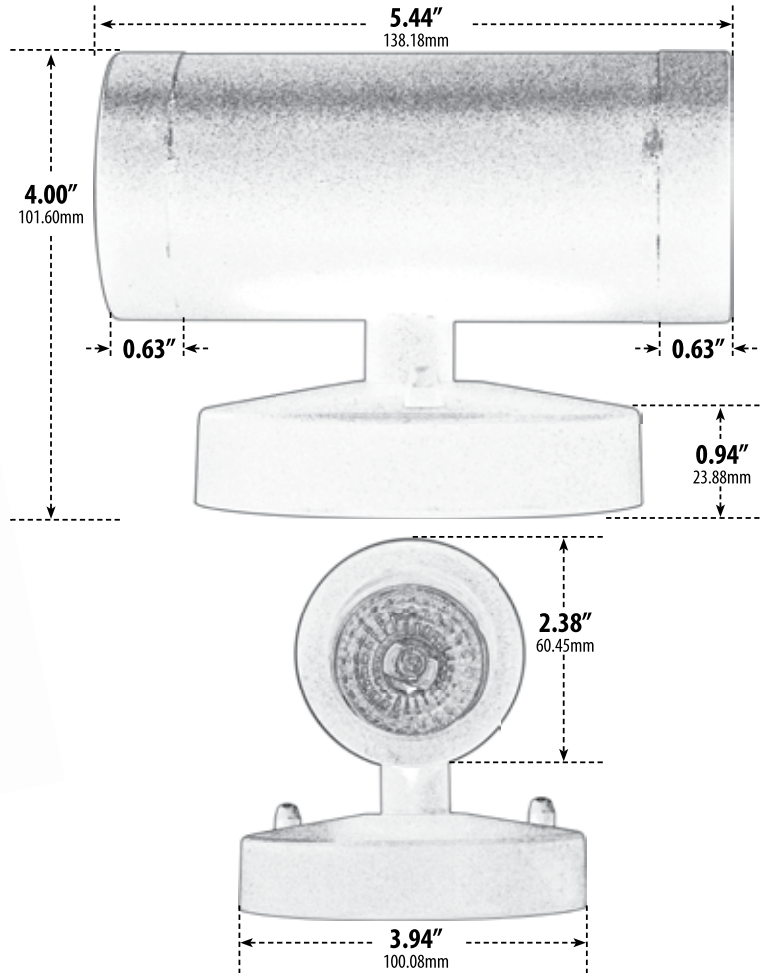


# LV49

## SURFACE MOUNT UP AND DOWN BRICK, STEP, WALL FIXTURE



- ▶ **Material:** Powder Coated Cast Aluminum
- ▶ **Lens:** Clear, Heat Resistant, Tempered Glass
- ▶ **Lamp:** MR16 Bi-Pin Base (2 x 20W Maximum)

MODEL NUMBER	LAMP TYPE	ILLUMINANT TYPE	WATTS (W)	VOLTS (V)	LAMP(S) INCLUDED?
LV49	MR16	HALOGEN	2 x 20	12	YES
LV-LED49	MR16-LED	3 LEDs	2 x 3	12	YES

- ▶ **Available Finish:** Black, Bronze, White, Dabmar Verde Green, Electroplated Stainless Steel
- ▶ **Connector Available:** P-CN01 (sold separately) See page 89
- ▶ **ETL Approved**

Overall Dimensions:  
4.00"H x 5.44"W x 4.00"D

Weight: 1.00 lbs  
Approximate Wire Length: 5.00"  
Box Dimensions: 4.25"H x 5.50"W x 4.00"D  
Lamps Included

**DABMAR**  
LIGHTING

DABMAR LIGHTING INCORPORATED

2140 Eastman Ave . Oxnard, CA 93030 . 805.604.9090 . f: 805.604.9050 . www.dabmar.com