

LV11

DIRECTIONAL SPOT LIGHT WITH HOOD



- ▶ **Material:** Stainless Steel
- ▶ **Lens:** Clear, Heat Resistant, Tempered Glass
- ▶ **Lamp:** MR16 Bi-Pin Base (35W Maximum)

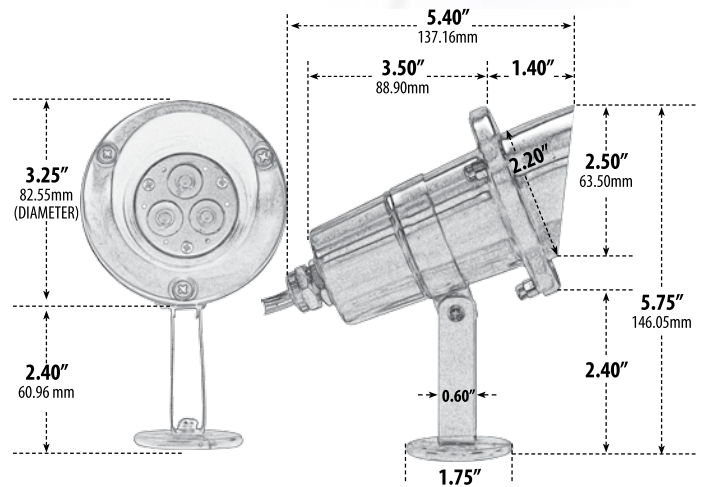
MODEL NUMBER	LAMP TYPE	ILLUMINANT TYPE	WATTS (W)	VOLTS (V)	LAMP(S) INCLUDED?
LV11	MR16	HALOGEN	20	12	YES
LV11-LED3	MR16-LED	LED COB	3	12	YES
LV11-LED7	MR16-LED	SMD LED	7	12	YES

Pre-wired with UL Listed Direct Burial Wire/Cable

- ▶ **Adjustable U-Shaped Bracket with Ground Spike**
- ▶ **P-SND-01 Tree Stand** (sold separately)
- ▶ **Connector Available:** P-CN01 (sold separately)
- ▶ **Available Finish:** Stainless Steel
- ▶ **ETL Approved**

Overall Dimensions: 5.75"H x 3.25"W x 5.40"D
 Maximum Height: 6.00"
 Minimum Height: 5.35"
 Width: 3.25"
 Maximum Depth: 5.40"
 Minimum Depth: 3.25"

Weight: 0.80
 Approximate Wire Length: 26"
 Box Dimension:
 7.00"H x 3.50"W x 3.50"D



**P-SND-01
 TREE STAND**
 (Sold Separately)

DABMAR
 LIGHTING

DABMAR LIGHTING INCORPORATED

2140 Eastman Ave . Oxnard, CA 93030 . 805.604.9090 . f: 805.604.9050 . www.dabmar.com