

LV10

DIRECTIONAL SPOT LIGHT



- ▶ **Material:** Stainless Steel
- ▶ **Lens:** Clear, Heat Resistant, Tempered Glass
- ▶ **Lamp:** MR16 Bi-Pin Base (35W Maximum)

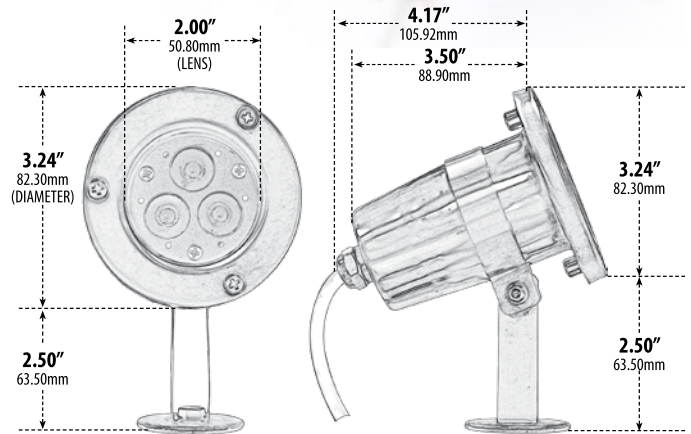
MODEL NUMBER	LAMP TYPE	ILLUMINANT TYPE	WATTS (W)	VOLTS (V)	LAMP(S) INCLUDED?
LV10	MR16	HALOGEN	20	12	YES
LV10-LED3	MR16-LED	LED COB	3	12	YES
LV10-LED7	MR16-LED	SMD LED	7	12	YES

Pre-wired with UL Listed Direct Burial Wire/Cable

- ▶ **Adjustable U-Shaped Bracket with Ground Spike**
- ▶ **P-SND-01 Tree Stand** (sold separately)
- ▶ **Connector Available:** P-CN01 (sold separately)
- ▶ **Available Finish:** Stainless Steel
- ▶ **ETL Approved**

Overall Dimensions: 5.26"H x 3.24"W x 4.17"D
 Maximum Height: 5.75"
 Width: 3.25"
 Maximum Depth: 4.50"
 Minimum Depth: 4.25"

Weight: 0.8 lbs
 Approximate Wire Length: 23"
 Box Dimension:
 5.75"H x 4.00"W x 4.00"D



**P-SND-01
 TREE STAND**
 (Sold Separately)



DABMAR LIGHTING INCORPORATED

2140 Eastman Ave . Oxnard, CA 93030 . 805.604.9090 . f: 805.604.9050 . www.dabmar.com