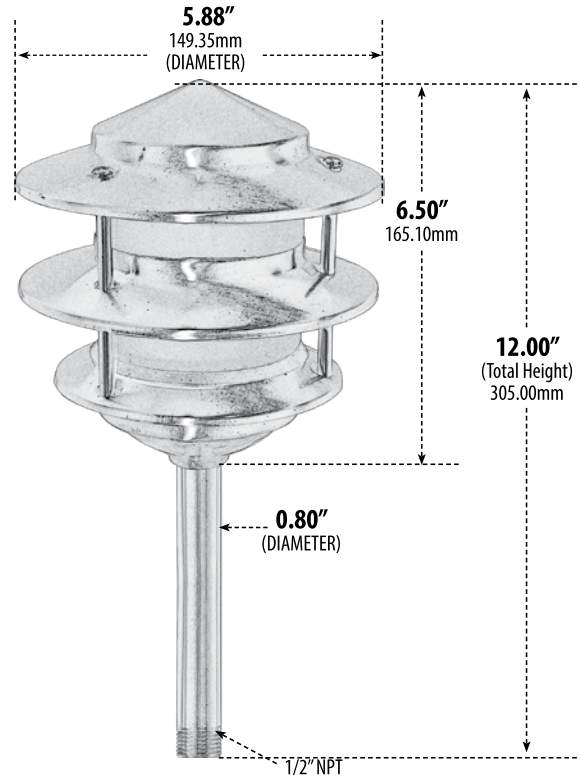


# LV-LED102-SS304

## THREE-TIER PAGODA LIGHT PATH, WALKWAY AND AREA LIGHTING



**12" RISER (sold separately) #ST-12-SS304**

- ▶ **Material:** Stainless Steel 304
- ▶ **Lens:** Frosted, Heat Resistant, Tempered Glass
- ▶ **Lamp:** JC-LED Bi-Pin Base (50W Maximum)

MODEL NUMBER	LAMP TYPE	ILLUMINANT TYPE	WATTS (W)	VOLTS (V)	LAMP(S) INCLUDED?
LV-LED102-SS304	JC-LED	LED	4	12	YES

Pre-wired with UL Listed Direct Burial Wire/Cable

- ▶ **6" Riser Included**
- ▶ **12" Riser Optional #ST-12-SS304** (sold separately)
- ▶ **1/2" NPT**
- ▶ **Ground Spike Included for Installation**
- ▶ **Connector Available:** P-CN01 (sold separately)
- ▶ **Available Finish:** Stainless Steel
- ▶ **ETL Approved**



**P-11 BASE**  
(sold separately)

Overall Dimensions:  
10.50"H x 6.00"W x 6.00"D

Weight: 1.40 lbs  
Approximate Wire Length: 22.00"  
Box Dimensions: 6.63"H x 7.13"W x 6.00"D

**DABMAR**  
LIGHTING

DABMAR LIGHTING INCORPORATED

2140 Eastman Ave . Oxnard, CA 93030 . 805.604.9090 . f: 805.604.9050 . www.dabmar.com