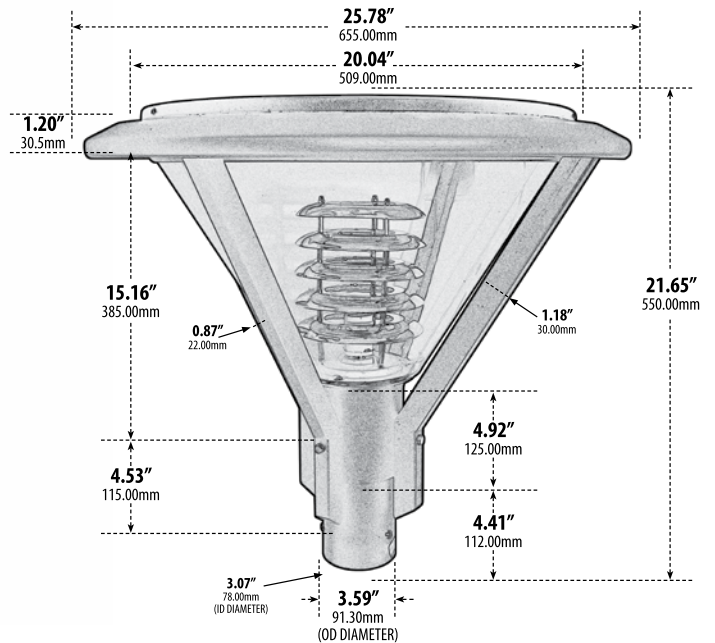


GM950

POST TOP FIXTURE



- ▶ **Material:** Powder Coated Cast Aluminum
- ▶ **Lens:** Clear, Heat Resistant, Polycarbonate
- ▶ **Available Finish:** Black, Verde Green
- ▶ **ETL Approved**

Overall Dimensions:
21.65"H x 25.78"W x 25.78"D

Weight: 14 lbs
Approximate Wire Length: 00"
Box Dimensions: 23.50"H x 26.00"W x 25.50"D

MODEL NUMBER	LAMP TYPE	ILLUMINANT TYPE	WATTS (W)	VOLTS (V)	LAMP(S) INCLUDED?
GM950	A-Type	Incandescent	60	120	NO
GM950-LED16	TUBULAR LED	96 LEDs	16	85-265	YES
GM950-LED30	TUBULAR LED	168 LEDs	30	85-265	YES
GM956	HID	HPS	35	120	YES
GM957	HID	HPS	50	120	YES
GM957-MT	HID	HPS	50	MT	YES
GM960	HID	HPS	70	120	YES
GM960-MT	HID	HPS	70	MT	YES
GM961	HID	MH	35	120	YES
GM962	HID	MH	50	120	YES
GM962-MT	HID	MH	50	MT	YES
GM963	HID	MH	70	120	YES
GM963-MT	HID	MH	70	MT	YES

LED Available in 30K or 65K

DABMAR
LIGHTING

DABMAR LIGHTING INCORPORATED

320 Graves Ave . Oxnard, CA 93030 . 805.604.9090 . f: 805.604.9050 . www.dabmar.com
4693 19th Street Ct E . Bradenton, FL 34203