

GM9303

POST FIXTURE

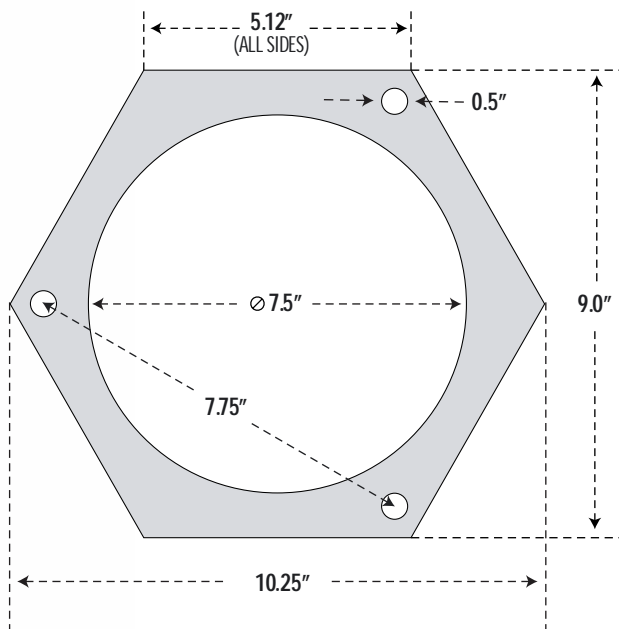
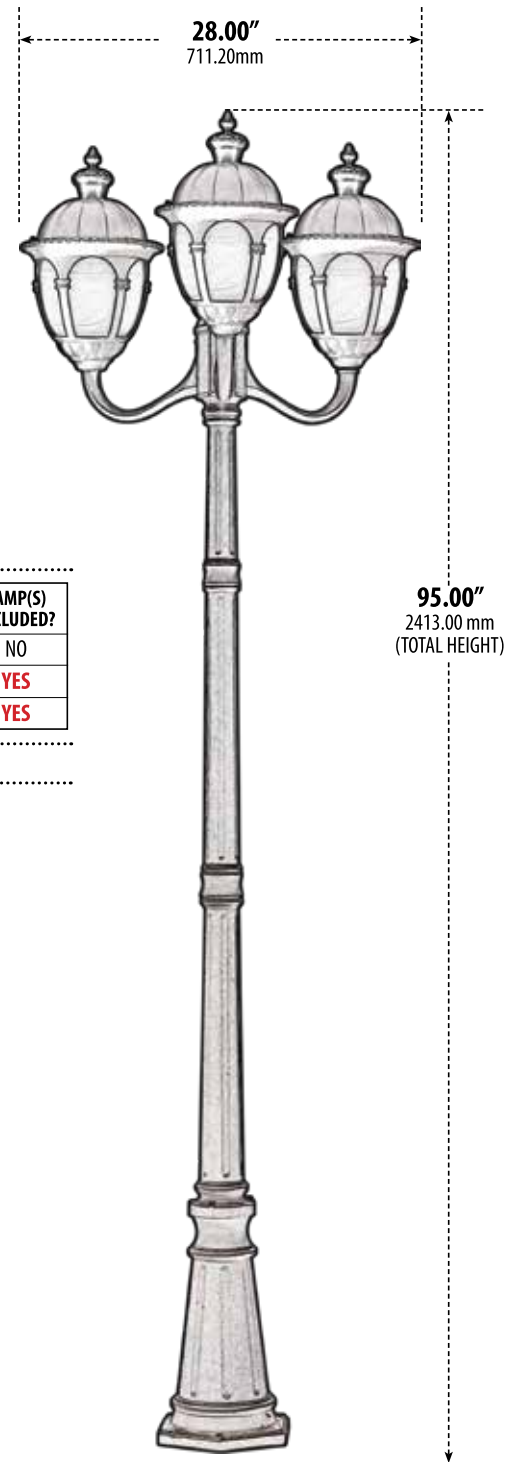


- ▶ **Material:** Powder Coated Cast Aluminum
- ▶ **Lens:** Clear, Heat Resistant, Tempered Glass
- ▶ **Available Finish:** White Only
- ▶ **ETL Approved**

MODEL NUMBER	LAMP TYPE	ILLUMINANT TYPE	WATTS (W)	VOLTS (V)	LAMP(S) INCLUDED?
GM9303	A-Type	Incandescent	3 x 60	120	NO
GM9303-LED6	A19-LED	FILAMENT LED	3 x 6	120	YES
GM9303-LED9	GU24-LED	A19-LED	3 x 9	120	YES

**AVAILABLE IN 16W LED Add -LED16 to Model Number

LED Available in Warm or Cool White



BASE PATTERN

Overall Dimensions:
95.00"H x 28.00"W x 14.00"D

Weight: 24.25 lbs

DABMAR
LIGHTING

DABMAR LIGHTING INCORPORATED

320 Graves Ave . Oxnard, CA 93030 . 805.604.9090 . f: 805.604.9050 . www.dabmar.com
4693 19th Street Ct E . Bradenton, FL 34203