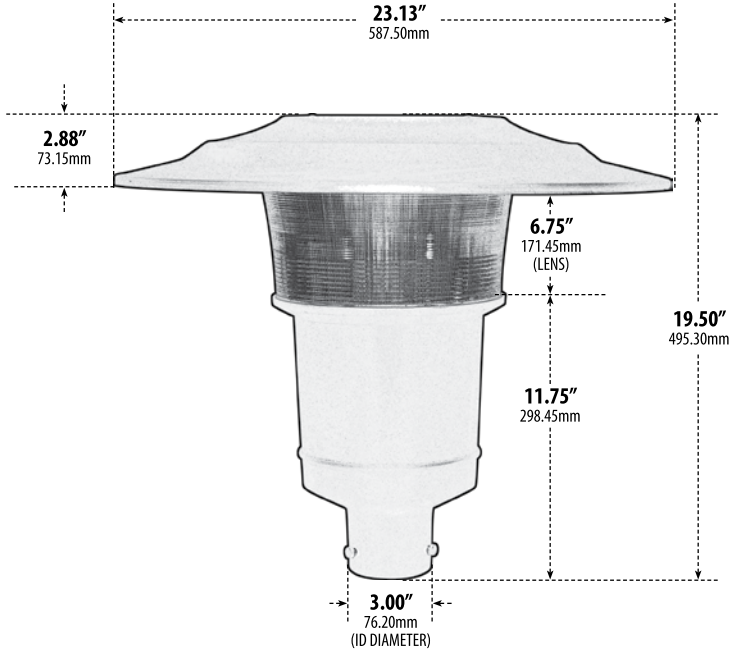


GM655

POST TOP FIXTURE



- **Material:** Powder Coated Cast Aluminum
- **Lens:** Clear, Prismatic, Heat Resistant, Polycarbonate Lens
- **Available Finish:** Black, Bronze, Verde Green
- **ETL Approved**

MODEL NUMBER	LAMP TYPE	ILLUMINANT TYPE	WATTS (W)	VOLTS (V)	LAMP(S) INCLUDED?
GM650	HID	MH	70	120	YES
GM655-LED20	G24-LED	140 LEDs	20	120-277	YES
GM655-LED30	TUBULAR LED	168 LEDs	30	85-265	YES
GM650-MT	HID	MH	70	MT	YES
GM651	HID	HPS	150	120	YES
GM651-MT	HID	HPS	150	MT	YES
GM652	HID	HPS	100	120	YES
GM652-MT	HID	HPS	100	MT	YES
GM653-100	HID	MH	100	120	YES
GM653-100-MT	HID	MH	100	MT	YES
GM653	HID	HPS	70	120	YES
GM653-MT	HID	HPS	70	MT	YES
GM655	A-Type	Incandescent	100	120	NO

20W LED Available in 30K or 50K

30W LED Available in 30K or 65K

Overall Dimensions:

19.50"H x 23.13"W x 23.13"D

Weight: 8.0 lbs (total)

6.4 lbs (body only)

1.6 lbs (top only)

Approximate Wire Length: 9"

Box Dimensions:

20.50"H x 12.31"W x 12.19"D (body)

23.88"H x 24.00"W x 3.00"D (top)

DABMAR
LIGHTING

DABMAR LIGHTING INCORPORATED

320 Graves Ave . Oxnard, CA 93030 . 805.604.9090 . f: 805.604.9050 . www.dabmar.com

4693 19th Street Ct E . Bradenton, FL 34203