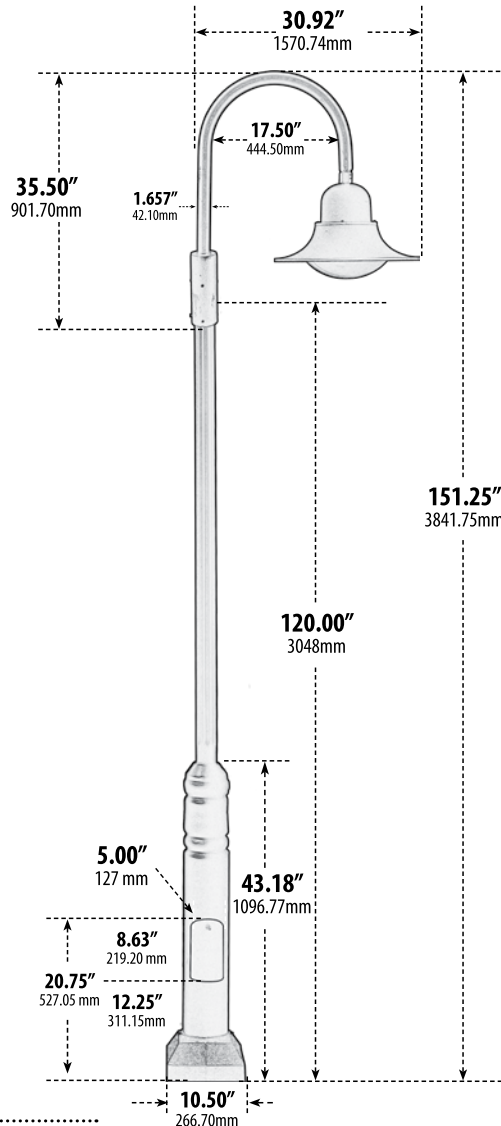
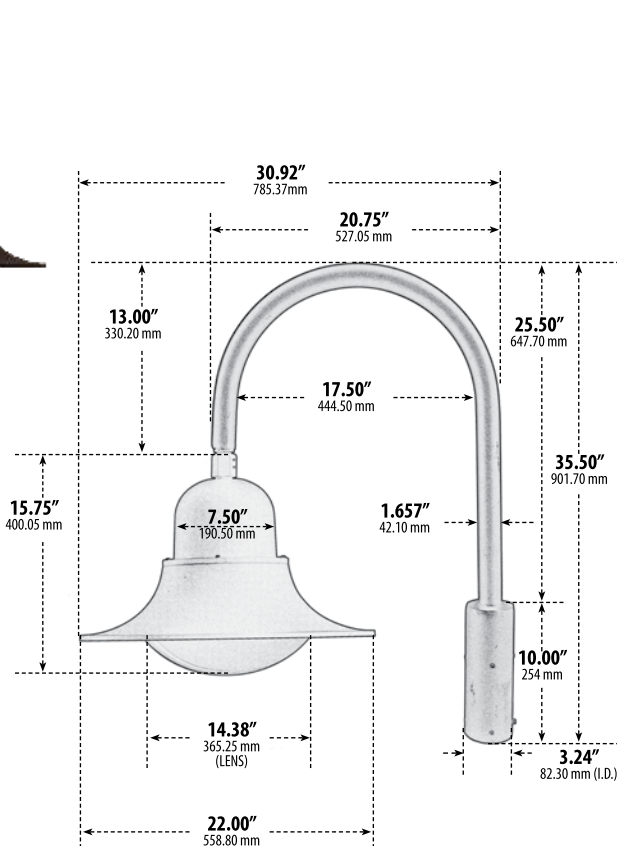
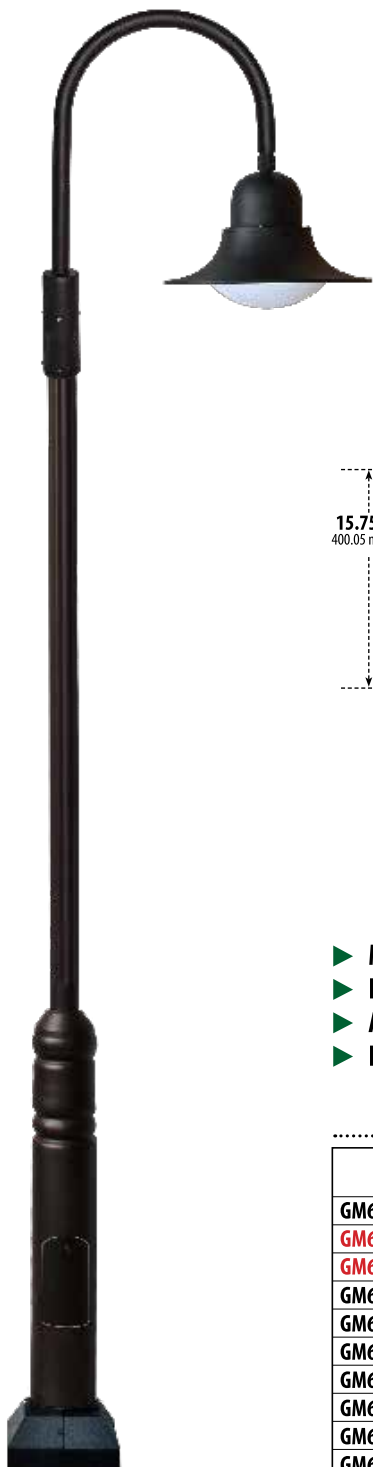


# GM6100

## POST FIXTURE - SINGLE ARM



- ▶ **Material:** Powder Coated Cast Aluminum
- ▶ **Lens:** White, Heat Resistant, Convex Polycarbonate Lens
- ▶ **Available Finish:** Black, Verde Green
- ▶ **ETL Approved**

LED Available in Warm or Cool White

MODEL NUMBER	LAMP TYPE	ILLUMINANT TYPE	WATTS (W)	VOLTS (V)	LAMP(S) INCLUDED?
GM6100	A-Type	Incandescent	100	120	NO
GM6101-LED20	G24-LED	140 LEDs	20	120-277	YES
GM6101-LED30	TUBULAR LED	168 LEDs	30	85-265	YES
GM6101	HID	HPS	35	120	YES
GM6102	HID	HPS	50	120	YES
GM6102-MT	HID	HPS	50	MT	YES
GM6103	HID	HPS	70	120	YES
GM6103-MT	HID	HPS	70	MT	YES
GM6104	HID	MH	35	120	YES
GM6105	HID	MH	50	120	YES
GM6105-MT	HID	MH	50	MT	YES
GM6106	HID	MH	70	120	YES
GM6106-MT	HID	MH	70	MT	YES

Overall Dimensions:  
151.25"H x 22.00"W x 30.92"D

Weight: 87.40 lbs. - Total: 103.02 lbs.  
Post Cover and Hardware: 15.62 lbs.



DABMAR LIGHTING INCORPORATED

320 Graves Ave . Oxnard, CA 93030 . 805.604.9090 . f: 805.604.9050 . www.dabmar.com

4693 19th Street Ct E . Bradenton, FL 34203