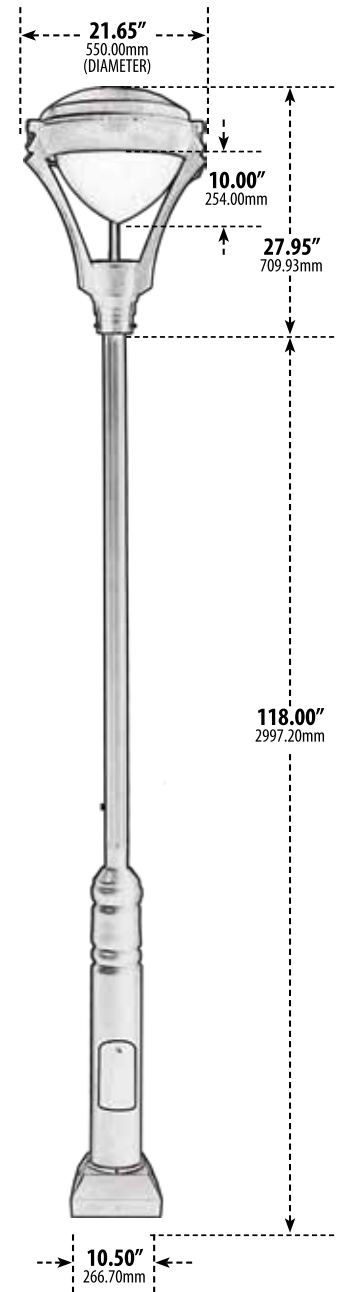
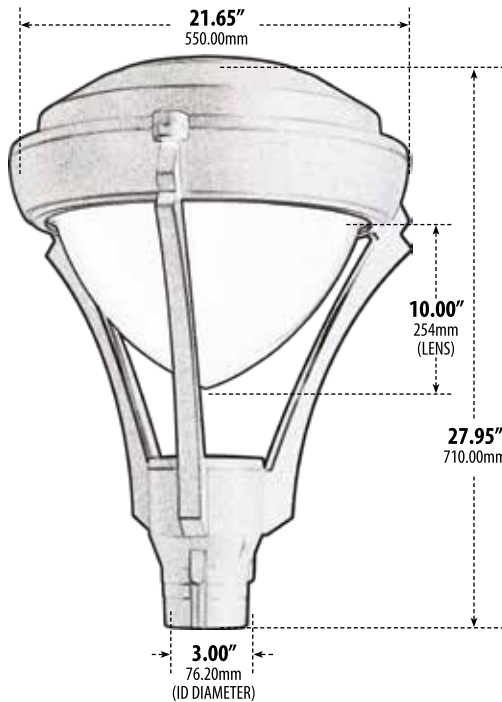


# GM5900

## POST FIXTURE



- ▶ **Material:** Powder Coated Cast Aluminum
- ▶ **Lens:** White, Heat Resistant, Polycarbonate Diffuser
- ▶ **Available Finish:** Black, Verde Green
- ▶ **ETL Approved**

MODEL NUMBER	LAMP TYPE	ILLUMINANT TYPE	WATTS (W)	VOLTS (V)	LAMP(S) INCLUDED?
GM5900-INC	A-Type	Incandescent	100	120	NO
GM5900	HID	HPS	35	120	YES
GM5900-LED20	G24-LED	140 LEDs	20	120-277	YES
GM5900-LED30	TUBULAR LED	168 LEDs	30	85-265	YES
GM5901	HID	HPS	50	120	YES
GM5901-MT	HID	HPS	50	MT	YES
GM5902	HID	HPS	70	120	YES
GM5902-MT	HID	HPS	70	MT	YES
GM5903	HID	HPS	100	120	YES
GM5903-MT	HID	HPS	100	MT	YES
GM5904	HID	HPS	150	120	YES
GM5904-MT	HID	HPS	150	MT	YES
GM5905	HID	MH	35	120	YES
GM5906	HID	MH	50	120	YES
GM5906-MT	HID	MH	50	MT	YES
GM5907	HID	MH	70	120	YES
GM5907-MT	HID	MH	70	MT	YES
GM5908	HID	MH	100	120	YES
GM5908-MT	HID	MH	100	MT	YES
GM5909	HID	MH	150	120	YES
GM5909-MT	HID	MH	150	MT	YES

LED Available in Warm or Cool White

Overall Dimensions:  
145.95"H x 21.65"W x 21.65"D

Weight: 70.78 lbs

**DABMAR**  
LIGHTING

DABMAR LIGHTING INCORPORATED

320 Graves Ave . Oxnard, CA 93030 . 805.604.9090 . f: 805.604.9050 . www.dabmar.com

4693 19th Street Ct E . Bradenton, FL 34203