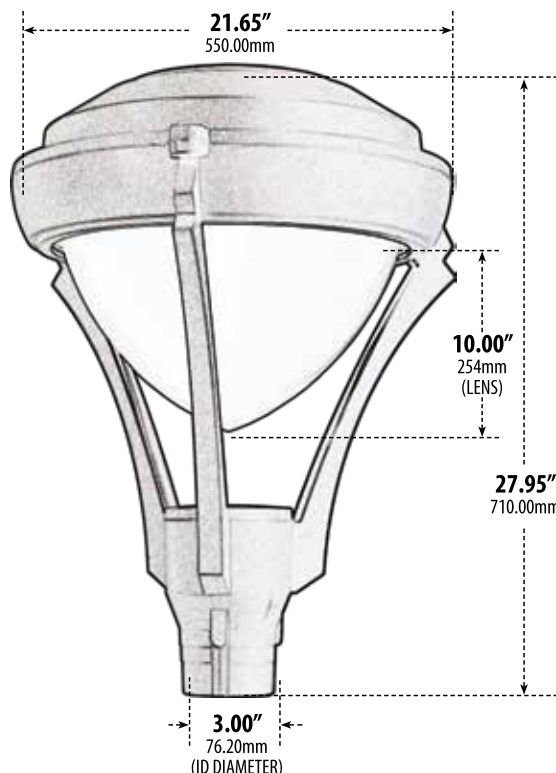


GM590

POST TOP FIXTURE



- ▶ **Material:** Powder Coated Cast Aluminum
- ▶ **Lens:** White, Heat Resistant, Polycarbonate Diffuser
- ▶ **Available Finish:** Black, Verde Green
- ▶ **Dark Sky Compliance**
- ▶ **ETL Approved**

Overall Dimensions:
27.95"H x 21.65"W x 21.65"D

Weight: 20.0 lbs
Approximate Wire Length: 00"
Box Dimensions: 28.15"H x 21.50"W x 21.50"D

MODEL NUMBER	LAMP TYPE	ILLUMINANT TYPE	WATTS (W)	VOLTS (V)	LAMP(S) INCLUDED?
GM590-INC	A-Type	Incandescent	100	120	NO
GM590	HID	HPS	35	120	YES
GM590-LED20	G24-LED	140 LEDs	20	120-277	YES
GM590-LED30	TUBULAR LED	168 LEDs	30	85-265	YES
GM591	HID	HPS	50	120	YES
GM591-MT	HID	HPS	50	MT	YES
GM592	HID	HPS	70	120	YES
GM592-MT	HID	HPS	70	MT	YES
GM593	HID	HPS	100	120	YES
GM593-MT	HID	HPS	100	MT	YES
GM594	HID	HPS	150	120	YES
GM594-MT	HID	HPS	150	MT	YES
GM595	HID	MH	35	120	YES
GM596	HID	MH	50	120	YES
GM596-MT	HID	MH	50	MT	YES
GM597	HID	MH	70	120	YES
GM597-MT	HID	MH	70	MT	YES
GM598	HID	MH	100	120	YES
GM598-MT	HID	MH	100	MT	YES
GM599	HID	MH	150	120	YES
GM599-MT	HID	MH	150	MT	YES

20W LED Available in 30K or 50K

30W LED Available in 30K or 65K

DABMAR
LIGHTING

DABMAR LIGHTING INCORPORATED

320 Graves Ave . Oxnard, CA 93030 . 805.604.9090 . f: 805.604.9050 . www.dabmar.com
4693 19th Street Ct E . Bradenton, FL 34203