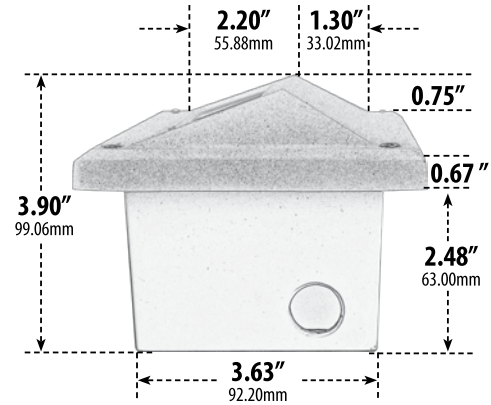
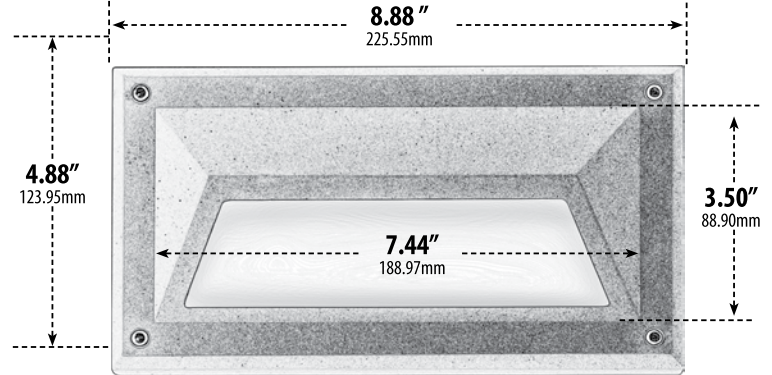


FG2010

RECESSED BRICK, STEP AND WALL LIGHT



- ▶ **Material:** Fiberglass
- ▶ **Lens:** Frosted, Heat Resistant, Tempered Glass

MODEL NUMBER	LAMP TYPE	ILLUMINANT TYPE	WATTS (W)	VOLTS (V)	LAMP(S) INCLUDED?
FG2010	T10	INCANDESCENT	40	120	NO
FG2010-LED5	PL-LED	LED	5	85-264	YES
FG2010-LED7	G24-LED	TUBULAR LED	7	85-265	YES
FG2010-LED9	G24-LED	TUBULAR LED	9	85-265	YES
FG2011	PL5	FLUORESCENT	5	120	YES
FG2012	PL7	FLUORESCENT	7	120	YES
FG2013	PL9	FLUORESCENT	9	120	YES
FG2014	PLQ13	FLUORESCENT	13	120	YES
FG2015	S13-GU24	FLUORESCENT	13	120	YES
FG2017	G24-LED	100 LEDs	12	120-277	YES

- ▶ **Available Finish:** Black, Bronze, White
- ▶ **Recessed Mount** (Rated for Concrete)
- ▶ **Replacement Cover Plate:** P-CVR-FG2010 (sold separately)
- ▶ **ETL Approved**

LED Available in Warm or Cool White

***Resist Corrosion-Ocean Front Placement**

Overall Dimensions:
4.88"H x 8.88"W x 3.90"D

Weight: 1.40 lbs
Approximate Wire Length: N/A
Box Dimensions:
3.88"H x 9.00"W x 5.00"D

DABMAR
LIGHTING

DABMAR LIGHTING INCORPORATED
320 Graves Ave . Oxnard, CA 93030 . 805.604.9090 . f: 805.604.9050 . www.dabmar.com
4693 19th Street Ct E . Bradenton, FL 34203