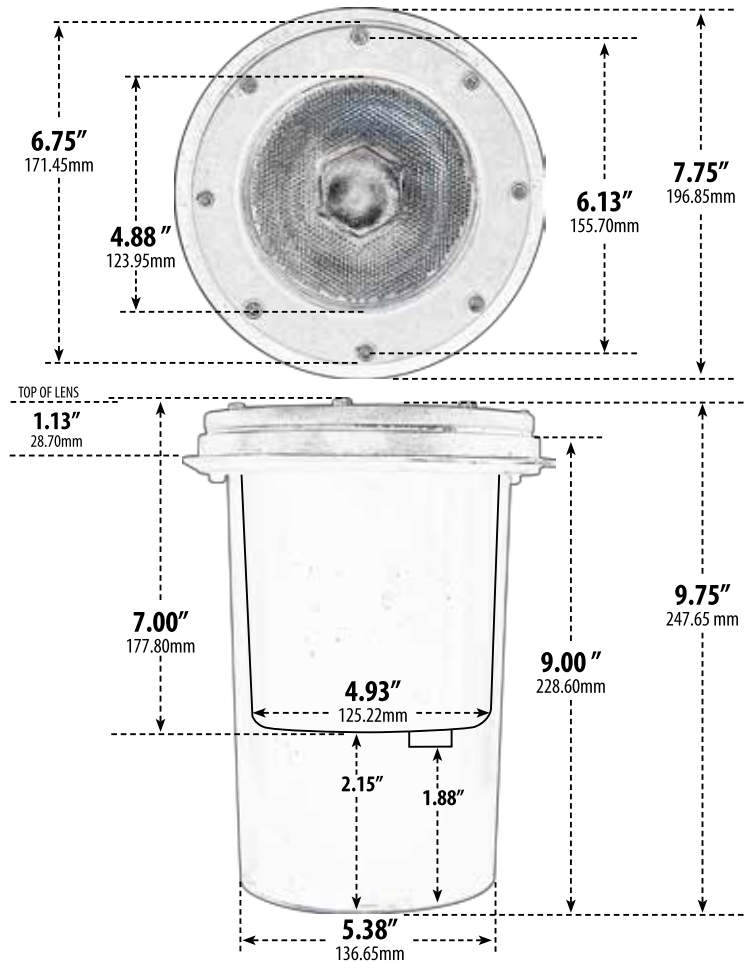


DW4751

IN-GROUND WELL LIGHT



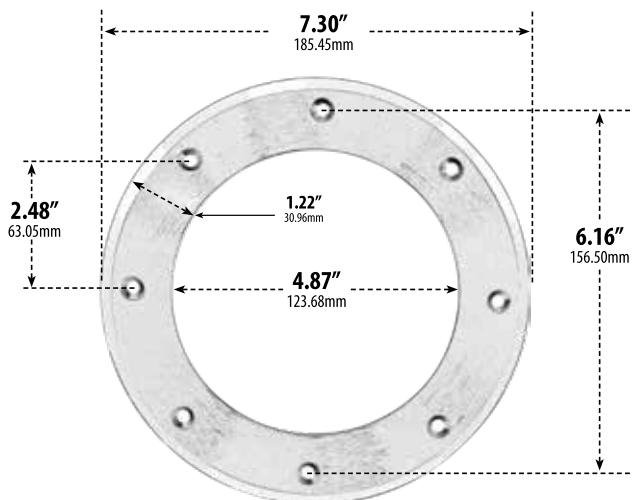
- ▶ **Material:** Powder Coated Cast Aluminum with PVC Sleeve
- ▶ **Lens:** Clear, Heat Resistant, Tempered Glass

MODEL NUMBER	LAMP TYPE	ILLUMINANT TYPE	WATTS (W)	VOLTS (V)	LAMP(S) INCLUDED?
DW4751	PAR38	INCANDESCENT	90	120	NO
DW4751-LED18F	PAR38-LED	LED FLOOD	18	120-277	YES
DW4751-LED18S	PAR38-LED	LED SPOT	18	120-277	YES
DW4751-LED12-RGBW	A23-LED	LED	12	85-265	YES

- ▶ **Installation Type:** Rated for In-Ground Soil and Concrete Applications
- ▶ **Available Finish:** Black, Bronze, Verde Green, *Stainless Steel 304*
- ▶ **RGBW Lamp Requires/Remote:** P-RMT-MR16-LED-4W-MC (sold separately)
- ▶ **ETL Approved**

LED Available in Warm or Cool White

Overall Dimensions:
 9.75"H x 7.75"W x 7.75"D
 Weight: 3.0 lbs
 Approximate Wire Length: 15"
 Box Dimensions:
 11.00"H x 8.00"W x 8.00"D



Stainless Steel 304 Cover Specs

NOW Available in Stainless Steel 304

DABMAR
 LIGHTING

DABMAR LIGHTING INCORPORATED

320 Graves Ave . Oxnard, CA 93030 . 805.604.9090 . f: 805.604.9050 . www.dabmar.com
 4693 19th Street Ct E . Bradenton, FL 34203