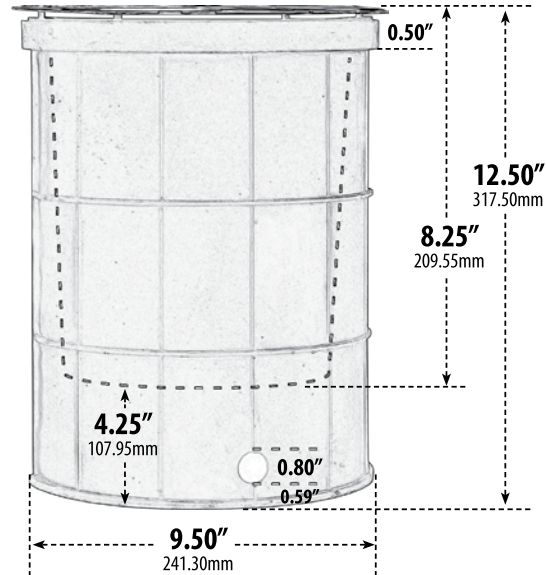
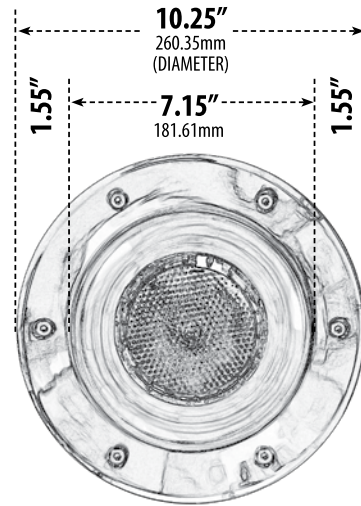


# DW1200 SERIES

## IN-GROUND WELL LIGHT



- ▶ **Material:** Stainless Steel w/PVC Sleeve
- ▶ **Lens:** Clear, Heat Resistant, Tempered Glass

MODEL NUMBER	LAMP TYPE	ILLUMINANT TYPE	WATTS (W)	VOLTS (V)	LAMP(S) INCLUDED?
DW1200	PAR38	INCANDESCENT	150	120	NO
DW1200-LED18-F	PAR38 LED	LED FLOOD	18	120-277	YES
DW1200-LED18-S	PAR38 LED	LED SPOT	18	120-277	YES
DW1235	HID	HPS	35	120	YES
DW1250	HID	HPS	50	120	YES
DW1270	HID	HPS	70	120	YES
DW1300	HID	HPS	100	120	YES
DW1351	HID	MH	50	120	YES
DW1352	HID	MH	70	120	YES

- ▶ **Installation Type:** Rated for In-Ground Soil and Concrete Applications
- ▶ **Available Finish:** Stainless Steel
- ▶ **ETL Approved**

LED Available in Warm or Cool White

Overall Dimensions:  
12.50"H x 10.25"W x 10.25"D

Weight: SEE LIST  
Box Dimensions:  
12.50"H x 10.50"W x 10.50"D

Lamp Not Included

DW1200 - 10 lbs  
DW1235 - 19 lbs  
DW1250 - 19 lbs  
DW1270 - 19 lbs  
DW1300 - 19 lbs  
DW1351 - 19 lbs  
DW1352 - 19 lbs

**DABMAR**  
LIGHTING

DABMAR LIGHTING INCORPORATED

320 Graves Ave . Oxnard, CA 93030 . 805.604.9090 . f: 805.604.9050 . www.dabmar.com  
4693 19th Street Ct E . Bradenton, FL 34203