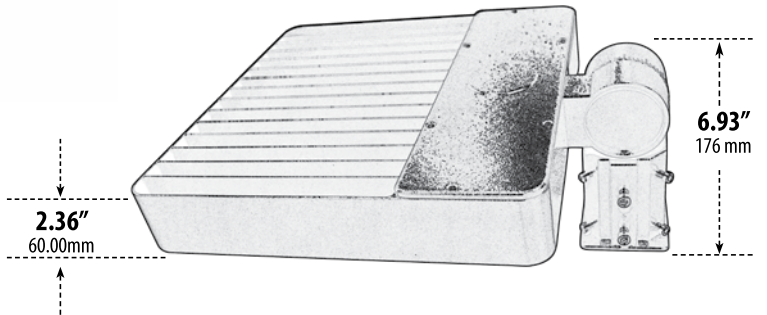
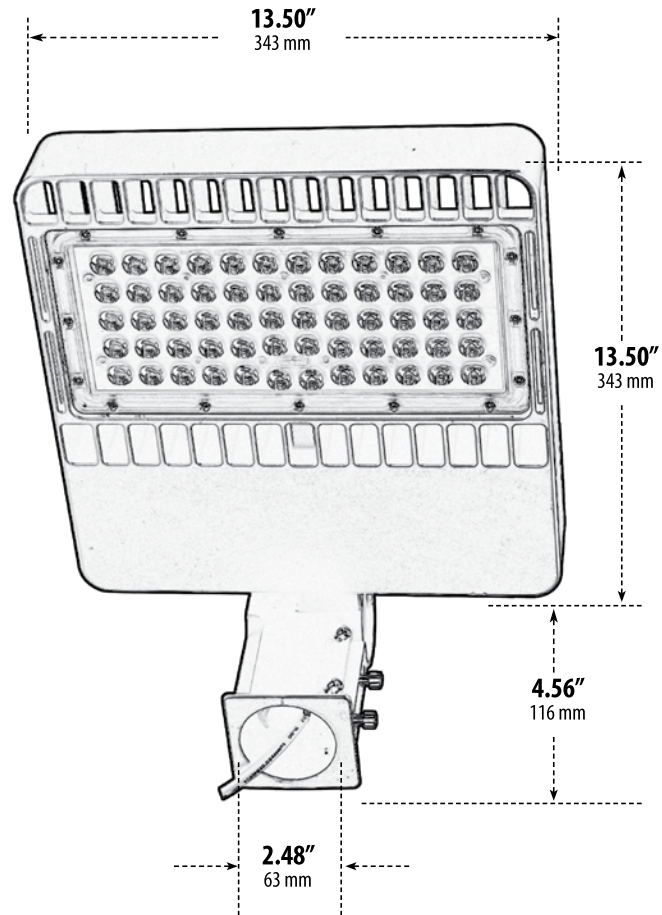


# DF-LED7755

## POST TOP FIXTURE



- ▶ **Material:** Powder Coated Cast Aluminum
- ▶ **Lens:** Clear, Polycarbonate
- ▶ **Available Finish:** Black, Verde Green
- ▶ **Color Temperature:** 5000K
- ▶ **Lumens:** 7600 Lm
- ▶ **Life Expectancy:** 50,000 Hrs
- ▶ **ETL and DLC Approved**

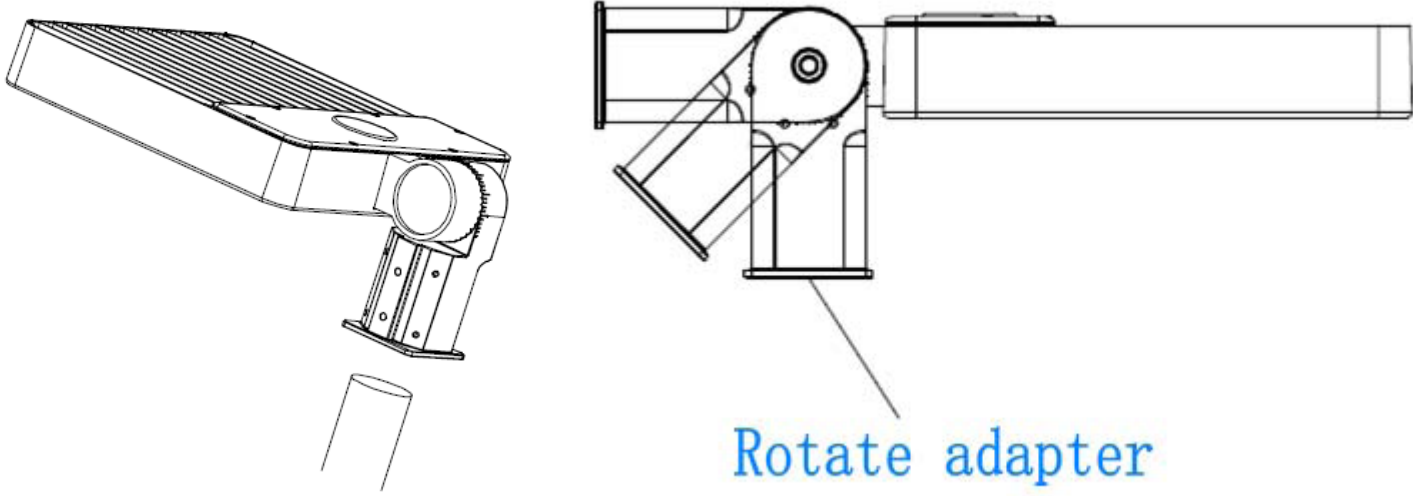
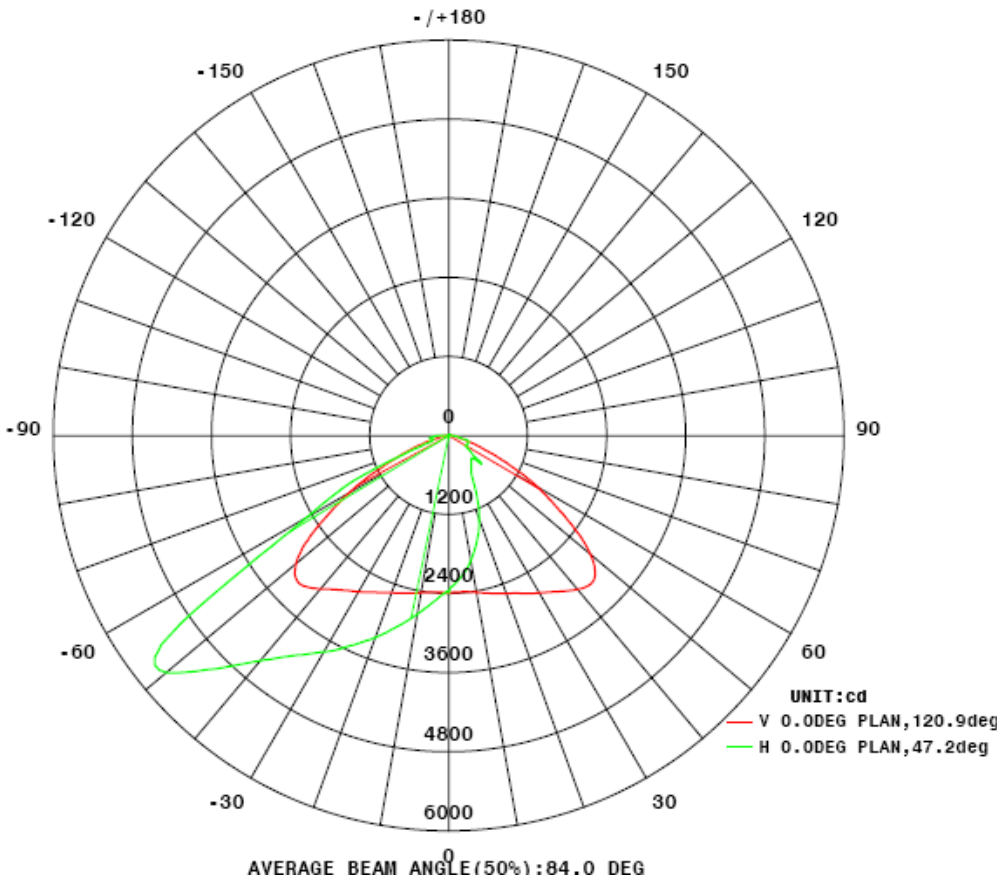
MODEL NUMBER	LAMP TYPE	ILLUMINANT TYPE	WATTS (W)	VOLTS (V)	LAMP(S) INCLUDED?
DF-LED7755	60 LEDs	LED BOARD	80	120-277	YES

Overall Dimensions:  
18.07"H x 13.50"W x 6.93"D

Weight: 15 lbs  
Approximate Wire Length: N/A  
Box Dimensions: 15.60"H x 23.20"W x 4.50"D



# DF-LED7755



DABMAR LIGHTING INCORPORATED

320 Graves Ave . Oxnard, CA 93030 . 805.604.9090 . f: 805.604.9050 . www.dabmar.com