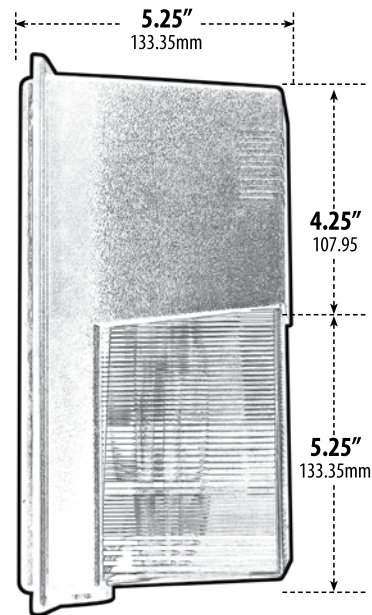
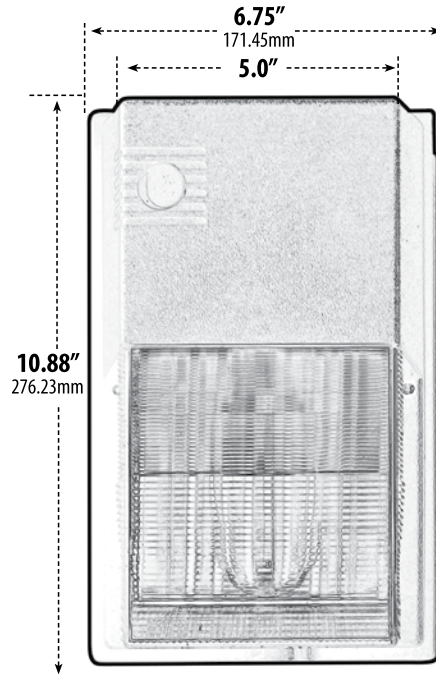


DF-LED6721

SURFACE MOUNTED WALL FIXTURE



- ▶ **Material:** Polycarbonate
- ▶ **Lens:** Clear, Ribbed, Heat Resistant, Polycarbonate Lens
- ▶ **Available Finish:** Bronze
- ▶ **ETL Approval Pending**

MODEL NUMBER	LAMP TYPE	ILLUMINANT TYPE	WATTS (W)	VOLTS (V)	LAMP(S) INCLUDED?
DF-LED6721	LED	147 LEDs	16	120	YES

- ▶ **Photo Cell Option Available**
- ▶ **Lumens:** 1280Lm
- ▶ **Life Expectancy:** 30,000 Hrs

Overall Dimensions:
10.88"H x 6.75"W x 5.25"D

Weight: 2.6 lbs
Approximate Wire Length: N/A
Box Dimensions: 11.38"H x 7.25"W x 5.75"D

DABMAR
LIGHTING

DABMAR LIGHTING INCORPORATED

320 Graves Ave . Oxnard, CA 93030 . 805.604.9090 . f: 805.604.9050 . www.dabmar.com
4693 19th Street Ct E . Bradenton, FL 34203