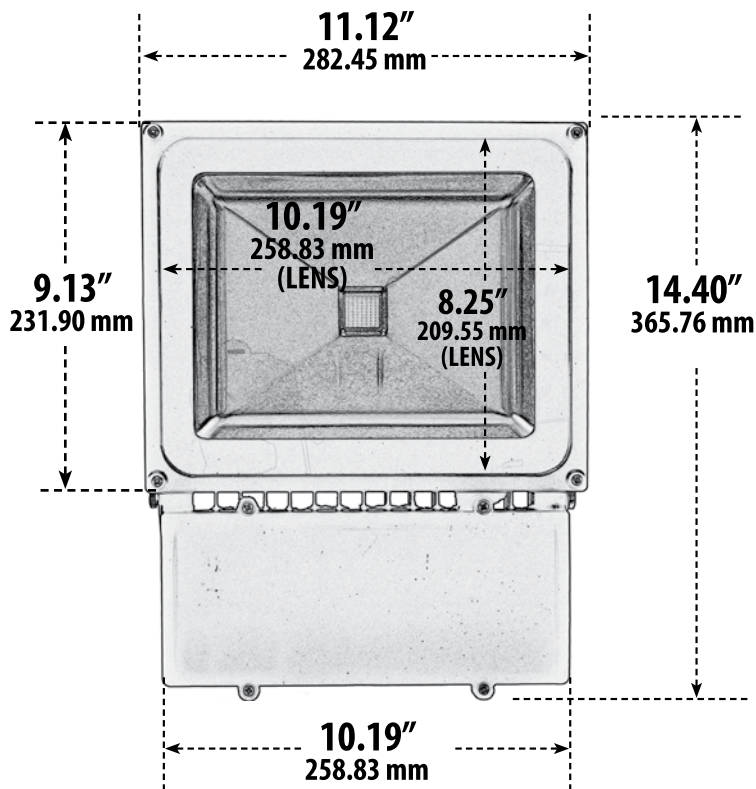


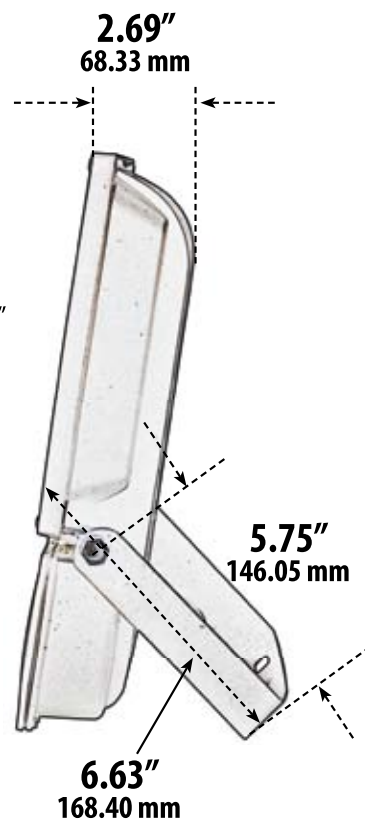
# DF-LED5967

## LED FLOOD LIGHT



Overall Dimensions:  
14.40"H x 11.12"W x 7.25"D

Weight: 5.40 lbs  
Approximate Wire Length: 9.00"  
Box Dimensions:  
11.63"H x 15.63"W x 3.88"D



- ▶ **Material:** Powder Coated Cast Aluminum
- ▶ **Lens:** Clear, Heat Resistant, Tempered Glass
- ▶ **Lamp:** Led Chip
- ▶ **Color Temperature:** 6500K
- ▶ **Lumens:** 6300
- ▶ **Beam Angle:** 120°

MODEL NUMBER	LAMP TYPE	ILLUMINANT TYPE	WATTS (W)	VOLTS (V)	LAMP(S) INCLUDED?
DF-LED5967	LED CHIP	LED	70	85-265	YES

- ▶ **Adjustable U-Shaped Bracket**
- ▶ **Available Color:** Black, Verde Green
- ▶ **ETL Approval Pending**

**DABMAR**  
LIGHTING

DABMAR LIGHTING INCORPORATED

2140 Eastman Ave . Oxnard, CA 93030 . 805.604.9090 . f: 805.604.9050 . www.dabmar.com