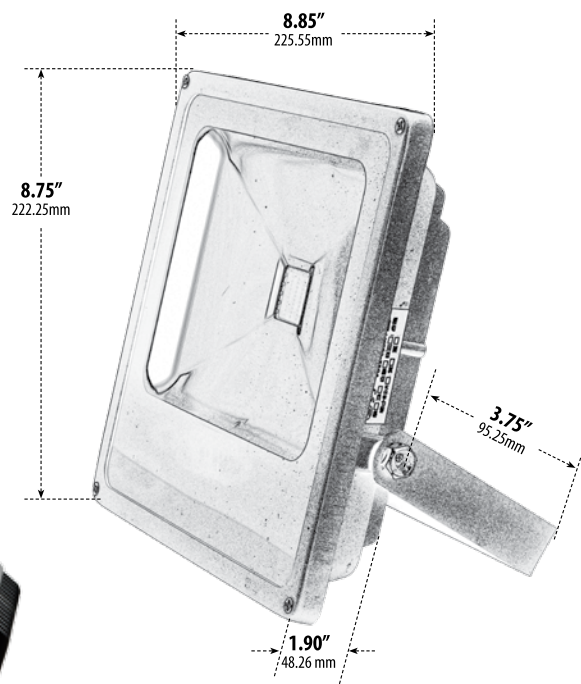


DF-LED5962

SLIM LED FLOOD LIGHT



- ▶ **Material:** Powder Coated Cast Aluminum
- ▶ **Lens:** Clear, Heat Resistant, Tempered Glass
- ▶ **Lamp:** Led Chip
- ▶ **Lamp Color:** White
- ▶ **Color Temperature:** 6500K
- ▶ **Lumens:** 2100Lm

MODEL NUMBER	LAMP TYPE	ILLUMINANT TYPE	WATTS (W)	VOLTS (V)	LAMP(S) INCLUDED?
DF-LED5962	LED CHIP	LED	30	85-265	YES

- ▶ **Adjustable U-Shaped Bracket**
- ▶ **Available Color:** Black, Verde Green
- ▶ **ETL Approval Pending**

Overall Dimensions:
8.88"H x 8.75"W x 5.23"D

Weight: 3.00 lbs
Approximate Wire Length: 15.50"
Box Dimensions:
9.13"L x 2.38"W x 9.75"H

DABMAR
LIGHTING

DABMAR LIGHTING INCORPORATED

2140 Eastman Ave . Oxnard, CA 93030 . 805.604.9090 . f: 805.604.9050 . www.dabmar.com