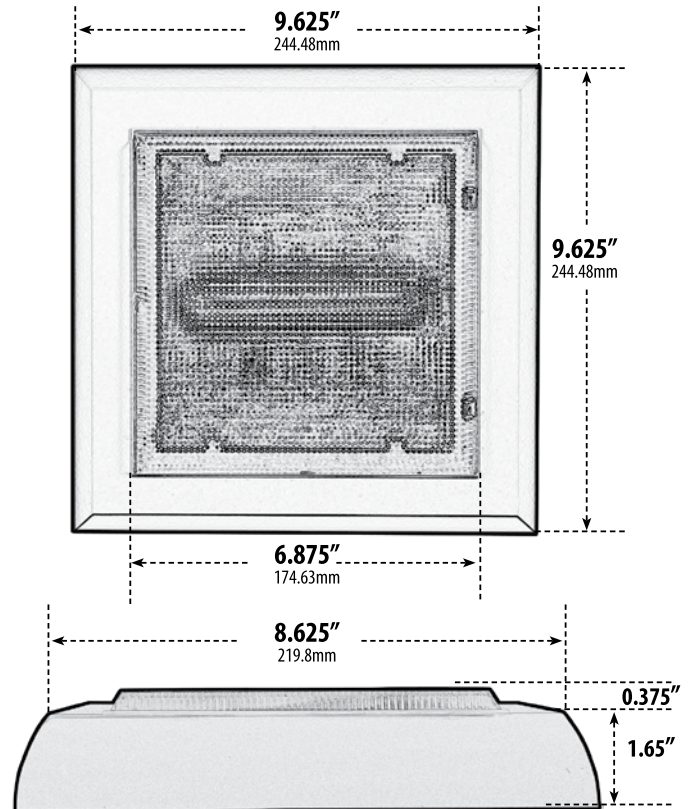


DC8600

SURFACE MOUNTED CEILING FIXTURE



- ▶ **Material:** Polycarbonate
- ▶ **Lens:** Clear, Prismatic, Polycarbonate Lens
- ▶ **Available Finish:** White
- ▶ **ETL Approved**

MODEL NUMBER	LAMP TYPE	ILLUMINANT TYPE	WATTS (W)	VOLTS (V)	LAMP(S) INCLUDED?
DC8600	PL9	Fluorescent	9	120	YES
DC8600-LED5	PL-LED	LED	5	85-265	YES
DC8700	PL9	Fluorescent	9	120	YES
DC8700-LED5	PL-LED	LED	2 x 5	85-265	YES

Replacement Lens: P-LENS-8600 (sold separately)

Overall Dimensions: 9.625"H x 9.625"W x 2.025"D
Approx Wire Length: 7.0"
Weight: 1.6 lbs
Box Dimensions: 10"W x 10"H x 2.125"D

DABMAR
LIGHTING

DABMAR LIGHTING INCORPORATED

320 Graves Ave . Oxnard, CA 93030 . 805.604.9090 . f: 805.604.9050 . www.dabmar.com