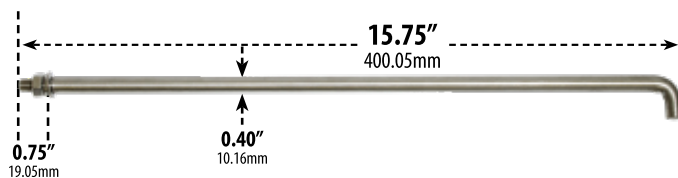
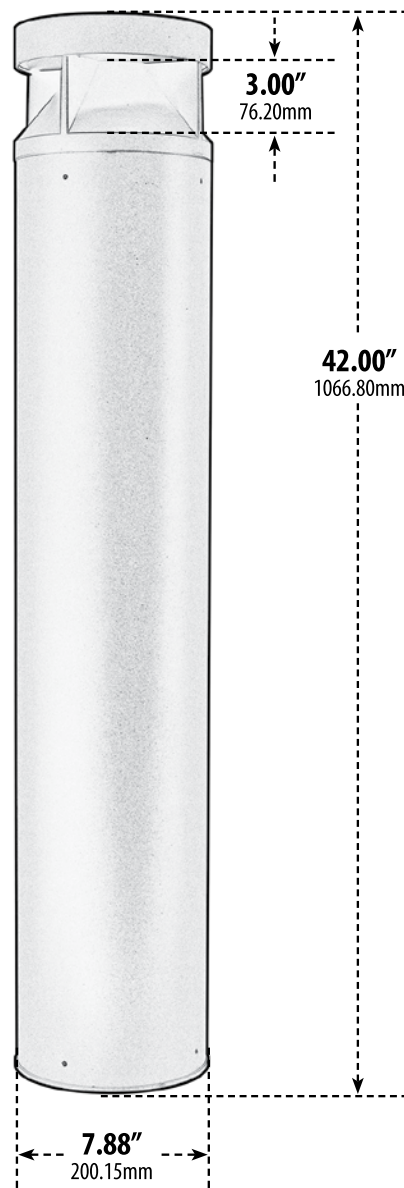


# D870-LED32

## PATH, WALKWAY, DRIVEWAY and ENTRANCE AREA BOLLARD



Overall Dimensions:  
7.88"W x 42.00"H x 7.88"D

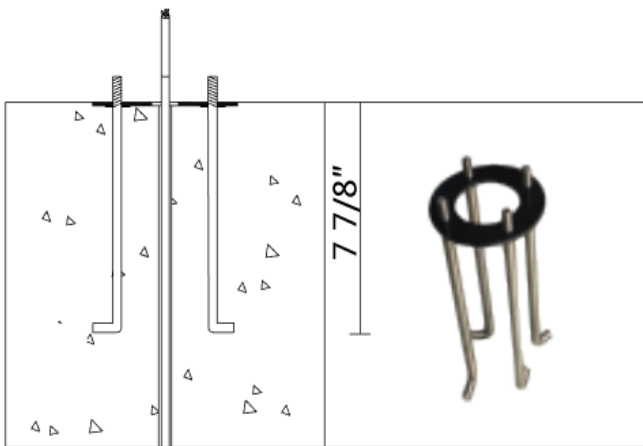
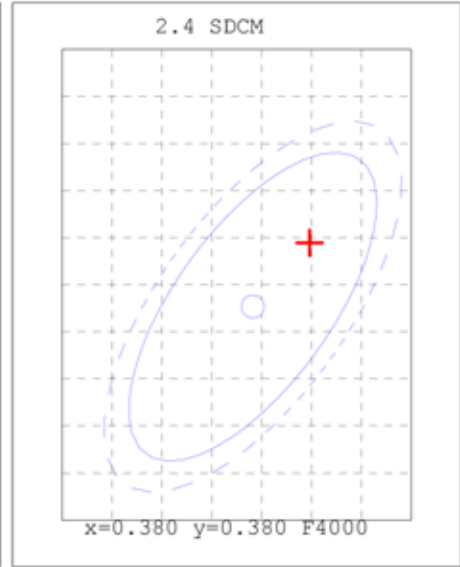
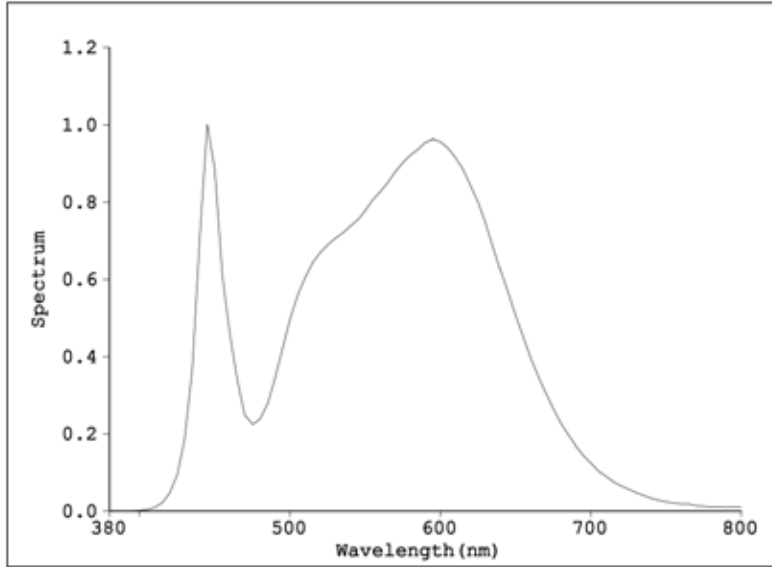
Maximum Height: 42.00"  
Width: 7.88"  
Maximum Depth: 7.88"

Weight: 20lbs 14oz (FIXTURE)  
Box Dimensions: 0.00"L x 0.00"W x 0.00"H

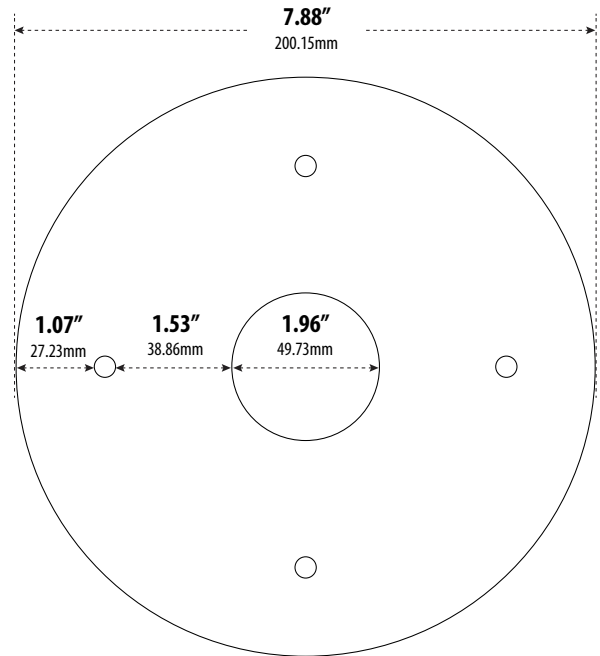
- ▶ **Material:** Powder Coated Cast Aluminum
- ▶ **Lens:** Prismatic, Heat Resistant, Glass Diffuser
- ▶ **Available Finish:** Black, Verde Green
- ▶ **Color Temperature:** 4000K
- ▶ **ETL Approval Pending**

MODEL NUMBER	LAMP TYPE	ILLUMINANT TYPE	WATTS (W)	VOLTS (V)	LAMP(S) INCLUDED?
D870-LED32	LED BOARD	LED	32	120-277	YES

# PHOTOMETRICS



Four anchor bolts included (standard)



**BASE PATTERN**



DABMAR LIGHTING INCORPORATED

320 Graves Ave . Oxnard, CA 93030 . 805.604.9090 . f: 805.604.9050 . www.dabmar.com