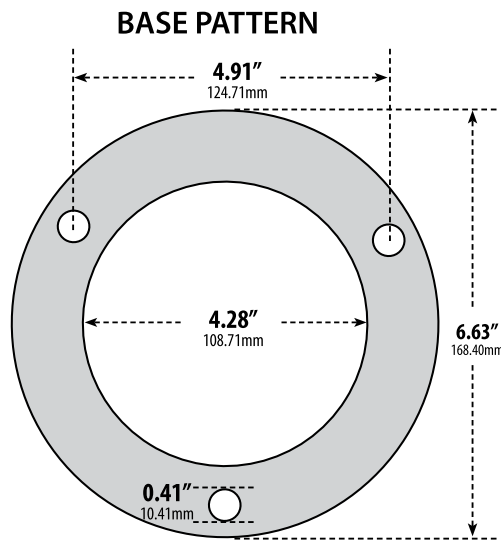
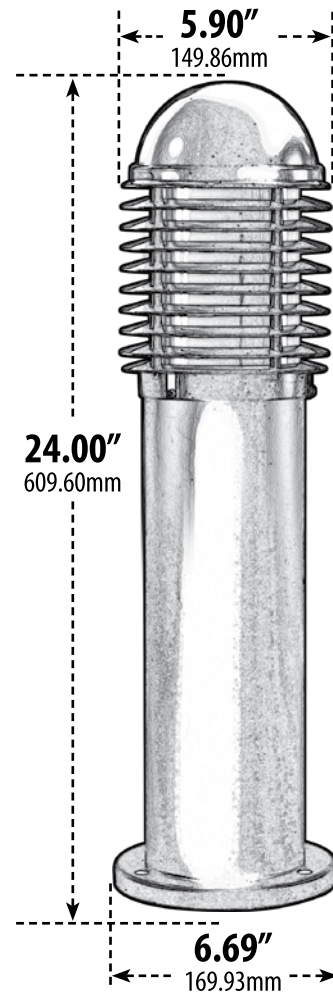
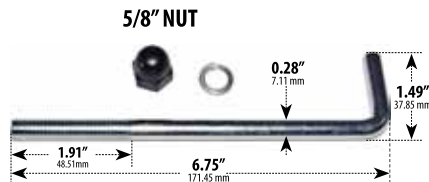
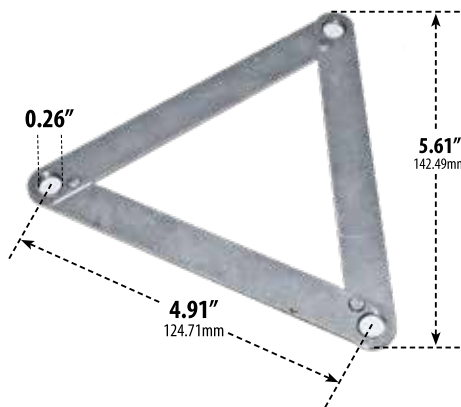


D3390

PATH, WALKWAY, DRIVEWAY and ENTRANCE AREA BOLLARD



TEMPLATE PATTERN



- ▶ **Material:** Cast Aluminum
- ▶ **Lens:** Clear, Heat Resistant, Polycarbonate Lens
- ▶ **Available Finish:** Black, Bronze, Verde Green
- ▶ **ETL Approved**

| MODEL NUMBER | LAMP TYPE | ILLUMINANT TYPE | WATTS (W) | VOLTS (V) | LAMP(S) INCLUDED? |
|--------------|----------------|-----------------|-----------|-----------|-------------------|
| D3390 | A-Type | Incandescent | 60 | 120 | NO |
| D3390-LED112 | Tubular G24-2P | 112 LEDs | 20 | 120-277 | YES |
| D3391 | S13-GU24 | Fluorescent | 13 | 120 | YES |
| D3392 | S26-GU24 | Fluorescent | 26 | 120 | YES |
| D3393 | HID | HPS | 35 | 120 | YES |
| D3394 | HID | HPS | 50 | 120 | YES |
| D3394-MT | HID | HPS | 50 | MT | YES |
| D3395 | HID | HPS | 70 | 120 | YES |
| D3395-MT | HID | HPS | 70 | MT | YES |
| D3396 | HID | MH | 35 | 120 | YES |
| D3397 | HID | MH | 50 | 120 | YES |
| D3397-MT | HID | MH | 50 | MT | YES |
| D3398 | HID | MH | 70 | 120 | YES |
| D3398-MT | HID | MH | 70 | MT | YES |

LED included will be 50K unless otherwise specified to 30K

Overall Dimensions:
6.69"W x 24.00"H x 6.69"D

Weight: 6.8 lbs
Box Dimensions: 7.00"W x 24.75"H x 7.00"D

DABMAR
LIGHTING
DABMAR LIGHTING INCORPORATED

320 Graves Ave . Oxnard, CA 93030 . 805.604.9090 . f: 805.604.9050 . www.dabmar.com