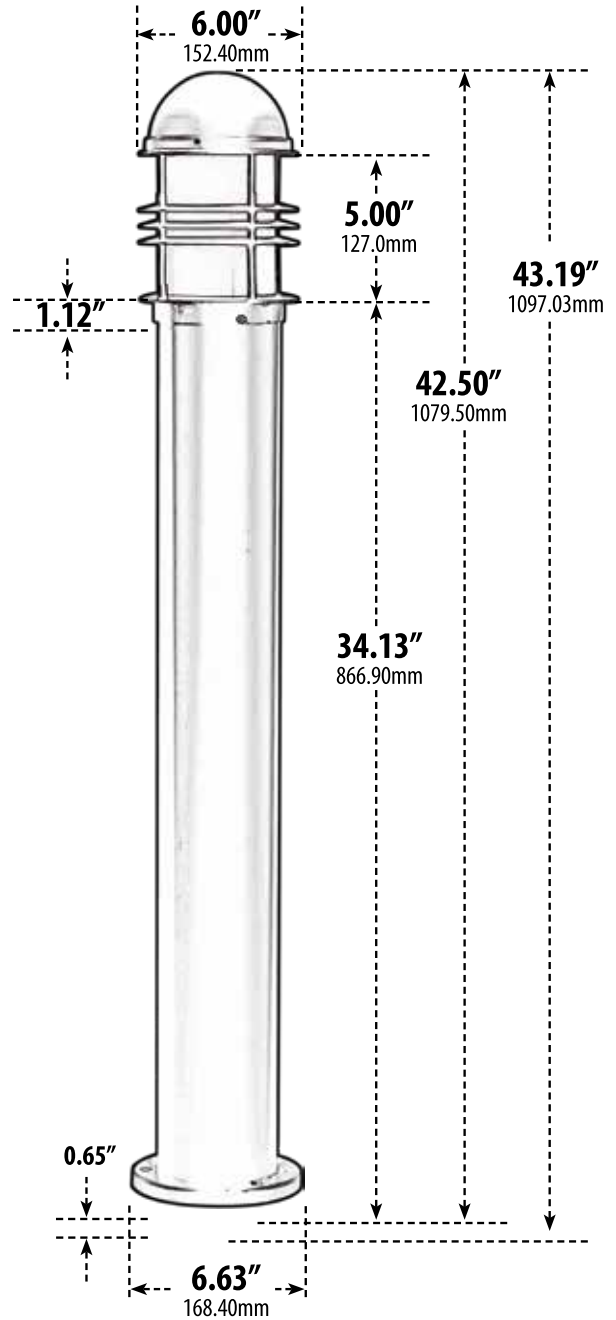


# D3200

PATH, WALKWAY, DRIVEWAY and ENTRANCE AREA BOLLARD

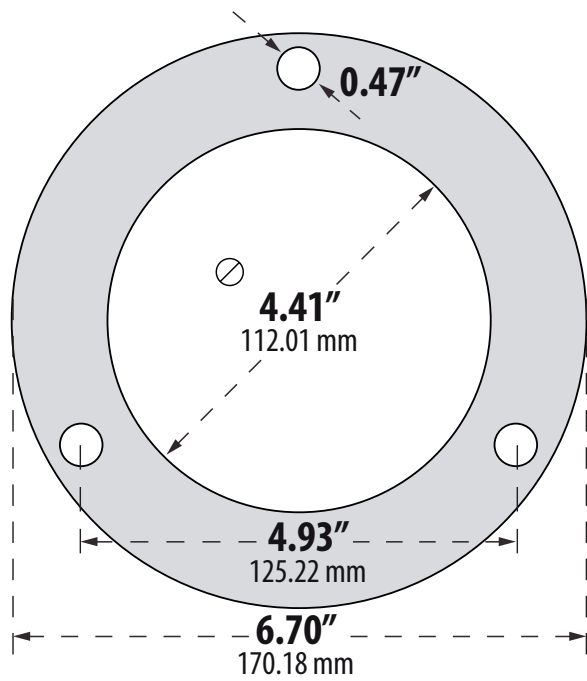


- ▶ **Material:** Powder Coated Cast Aluminum
- ▶ **Lens:** White, Heat Resistant, Polycarbonate Lens
- ▶ **Available Finish:** Black, Bronze, Verde Green
- ▶ **ETL Approved**

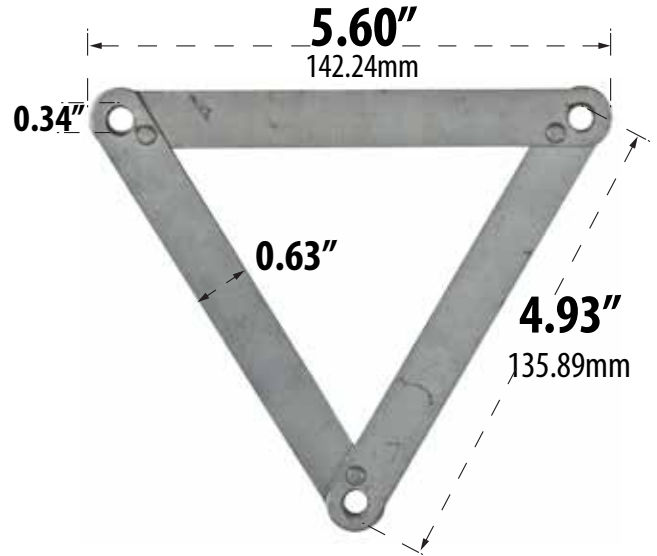
**DABMAR**  
L I G H T I N G

DABMAR LIGHTING INCORPORATED

320 Graves Ave . Oxnard, CA 93030 . 805.604.9090 . f: 805.604.9050 . www.dabmar.com

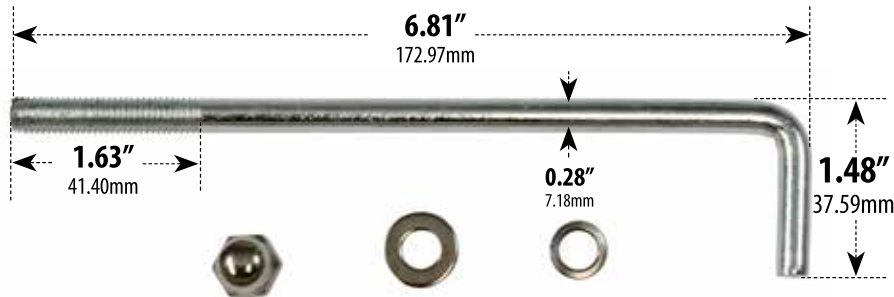


**BASE PATTERN**



**TEMPLATE PATTERN**

**BOLT**



MODEL NUMBER	LAMP TYPE	ILLUMINANT TYPE	WATTS (W)	VOLTS (V)	LAMP(S) INCLUDED?
D3200	A-Type	Incandescent	60	120	NO
D3200-LED112	Tubular G24 2P	112 LEDs	20	120-277	YES
D3227	S13-GU24	Fluorescent	13	120	YES
D3228	S26-GU24	Fluorescent	26	120	YES
D3235	HID	HPS	35	120	YES
D3250	HID	HPS	50	120	YES
D3250-MT	HID	HPS	50	MT	YES
D3270	HID	HPS	70	120	YES
D3270-MT	HID	HPS	70	MT	YES
D3275	HID	MH	35	120	YES
D3276	HID	MH	50	120	YES
D3276-MT	HID	MH	50	MT	YES
D3280	HID	MH	70	120	YES
D3280-MT	HID	MH	70	MT	YES

Overall Dimensions:  
6.63"W x 43.19"H x 6.63"D

Maximum Height: 43.19"  
Width: 6.63"  
Maximum Depth: 6.63"

Weight: 8.0 lbs  
Box Dimensions: 7.63"W x 44.0"H x 7.38"D

**LED included will be 50K unless otherwise specified to 30K**