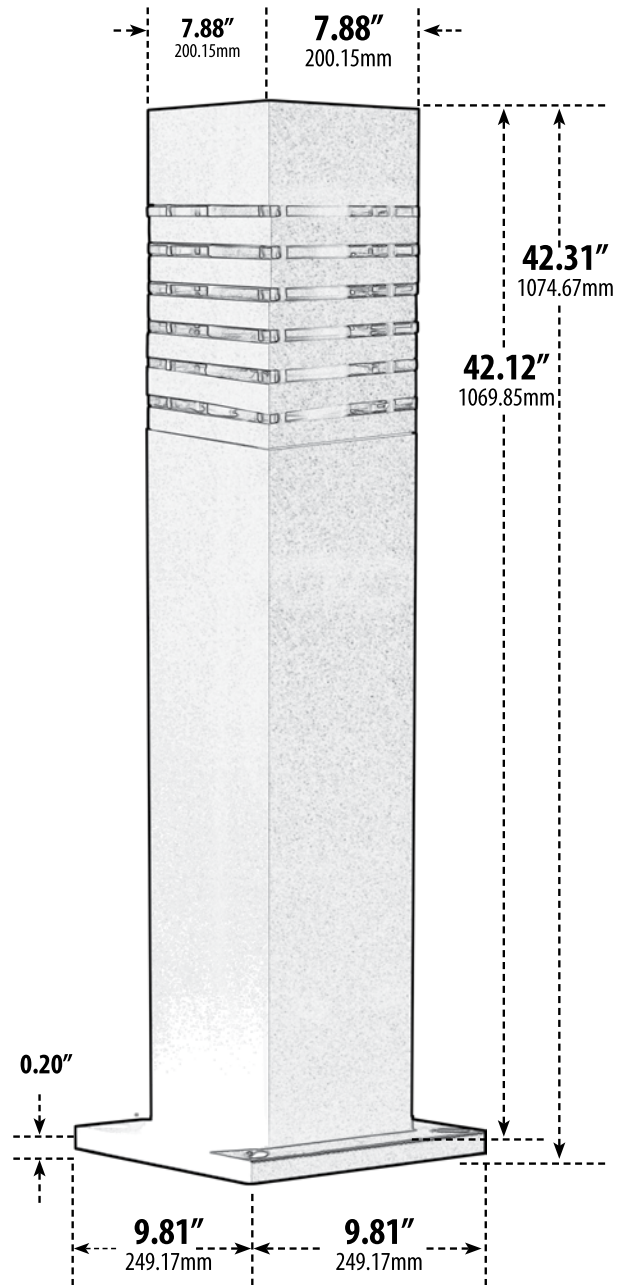


D170

PATH, WALKWAY, DRIVEWAY and ENTRANCE AREA BOLLARD



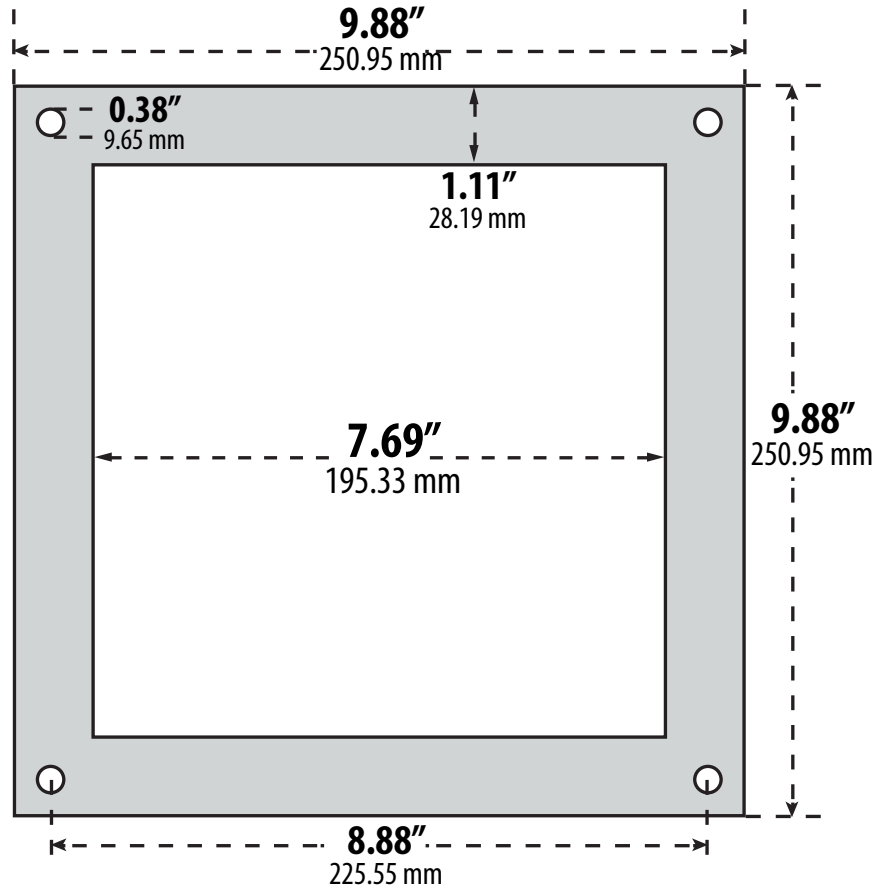
- ▶ **Material:** Powder Coated Steel
- ▶ **Lens:** Clear, Heat Resistant, Tempered Glass Lens
- ▶ **Available Finish:** Black, Bronze, Verde Green
- ▶ **ETL Approved**

DABMAR
LIGHTING

DABMAR LIGHTING INCORPORATED

320 Graves Ave . Oxnard, CA 93030 . 805.604.9090 . f: 805.604.9050 . www.dabmar.com

BASE PATTERN



Mounting hardware not included

MODEL NUMBER	LAMP TYPE	ILLUMINANT TYPE	WATTS (W)	VOLTS (V)	LAMP(S) INCLUDED?
D170	A-Type	Incandescent	60	120	NO
D170-LED112	Tubular G24 2P	112 LEDs	20	120-277	YES
D173	HID	HPS	35	120	YES
D174	HID	HPS	50	120	YES
D174-MT	HID	HPS	50	MT	YES
D175	HID	HPS	70	120	YES
D175-MT	HID	HPS	70	MT	YES
D176-100	HID	MH	100	120	YES
D176-100-MT	HID	MH	100	MT	YES
D176-35	HID	MH	35	120	YES
D176	HID	MH	50	120	YES
D176-MT	HID	MH	50	MT	YES
D177	HID	MH	70	120	YES
D177-MT	HID	MH	70	MT	YES
D178	S13-GU24	Fluorescent	13	120	YES
D179	S26-GU24	Fluorescent	26	120	YES

Overall Dimensions:
9.81"W x 42.31"H x 9.81"D

Maximum Height: 42.31"
Width: 9.81"
Maximum Depth: 9.81"

Weight: 53.00 lbs
Box Dimensions: 10.75"W x 43.25"H x 10.00"D

LED included will be 50K unless otherwise specified to 30K