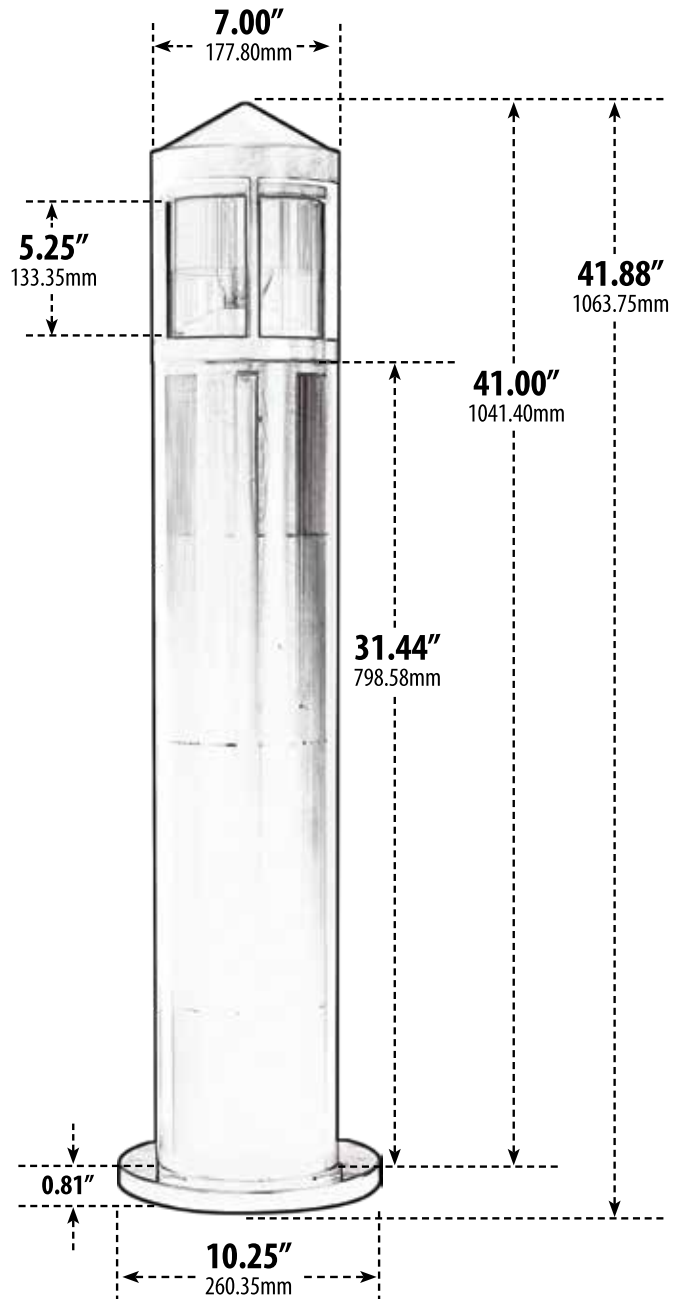


D120

PATH, WALKWAY, DRIVEWAY and ENTRANCE AREA BOLLARD

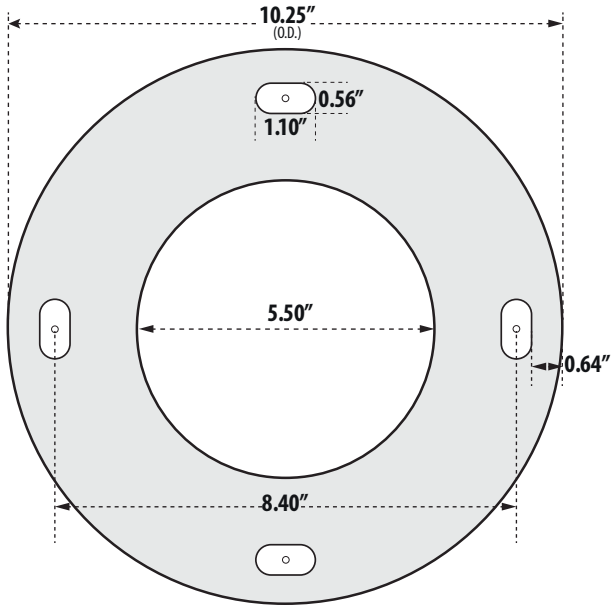


- ▶ **Material:** Fiberglass
- ▶ **Lens:** Clear and Frosted Polycarbonate Lens
- ▶ **Available Finish:** Black, Bronze
- ▶ **ETL Approved**

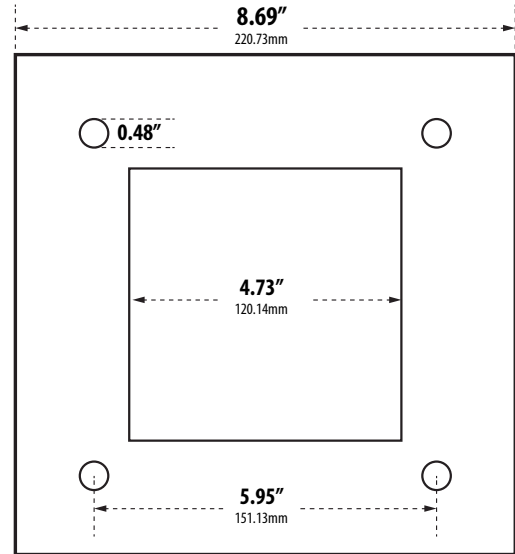
DABMAR
L I G H T I N G

DABMAR LIGHTING INCORPORATED

320 Graves Ave . Oxnard, CA 93030 . 805.604.9090 . f: 805.604.9050 . www.dabmar.com

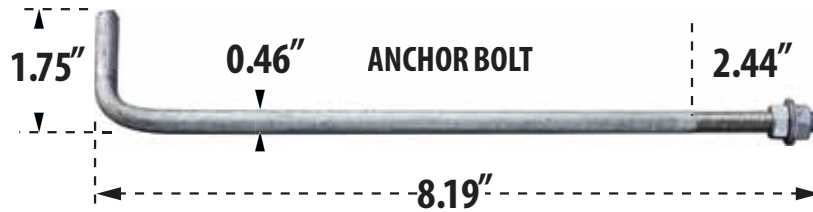


BASE PATTERN



TEMPLATE PATTERN

BOLT



MODEL NUMBER	LAMP TYPE	ILLUMINANT TYPE	WATTS (W)	VOLTS (V)	LAMP(S) INCLUDED?
D120	A-Type	Incandescent	60	120	NO
D120-LED112	Tubular G24 2P	112 LEDs	20	120-277	YES
D122-35	HID	HPS	35	120	YES
D122-50	HID	HPS	50	120	YES
D122-50-MT	HID	HPS	50	MT	YES
D122	HID	HPS	70	120	YES
D122-MT	HID	HPS	70	MT	YES
D123-35	HID	MH	35	120	YES
D123-50	HID	MH	50	120	YES
D123-50-MT	HID	MH	50	MT	YES
D123	HID	MH	70	120	YES
D123-MT	HID	MH	70	MT	YES
D125	S13-GU24	Fluorescent	13	120	YES
D126	S23-GU24	Fluorescent	26	120	YES

Overall Dimensions:
10.25"W x 41.88"H x 10.25"D

Weight: 12.40 lbs
18.00 lbs w box & packaging
Box Dimensions: 10.75"W x 43.50"H x 10.75"D

LED included will be 50K unless otherwise specified to 30K

FIBERGLASS is warranted for a period of three (3) years from date of shipment

LED is warranted for a period of three (3) years or half the lifespan from date of shipment