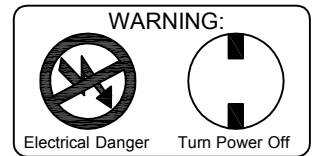
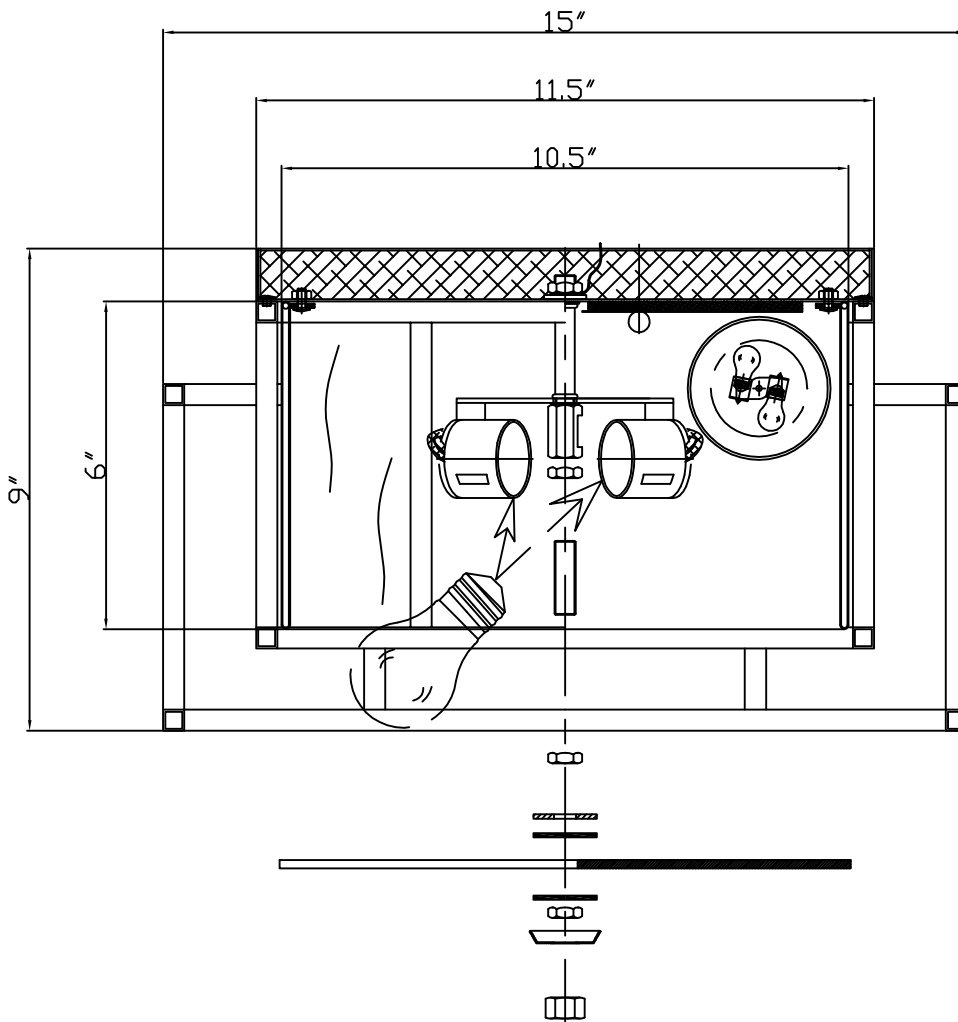


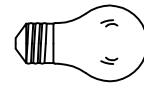
CRYSTORAMA

LIGHTING THE WAY FOR SIXTY YEARS

ASSEMBLY INSTRUCTION MODEL #9590-LG



All electrical components must be installed by a licensed electrician in accordance with the National Electric Code and the appropriate local electrical codes.



You will need 2 - Med.Bulb

40 Watts Recommended

60 Watts Max

USE LED BULBS FOR EXTENDED USE

The fixture is Dry rated

How to Install

1. Thread the nipple into the coupler and secure with nut.
2. Place metal washer, rubber washer, glass diffuser, and rubber washer, in that order, over the nipple and secure with nut.
3. Place the vase cap over the bottom of glass diffuser and secure with finial.
4. Mount the canopy to the ceiling.

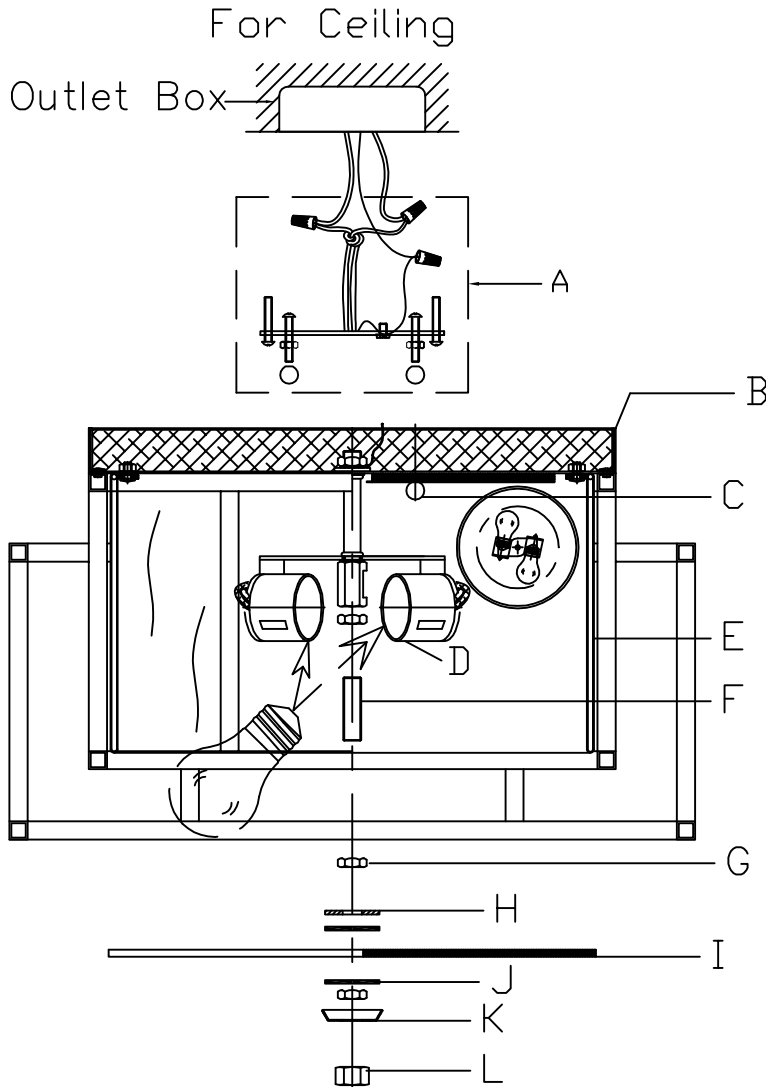


WARNING: This product can expose you to Lead, which is known to the State of California to cause cancer and/or birth defects or reproductive harm. For more information go to www.P65Warnings.ca.gov

CRYSTORAMA

LIGHTING THE WAY FOR SIXTY YEARS

PART NUMBER MODEL #9590-LG



Part Number

Part Numbers

- A. (1)—Mounting Hardware
- B. (1)—Canopy; W11.5"XH1"; XSU9590LGCAN11.5IN
- C. (2)—Ball Nut; XSU9590LGBALL
- D. (1)—Socket
- E. (1)—Shade; ϕ 10.5"X6"; XSU9590LGSHA10.5IN
- F. (1)—Nipple
- G. (1)—Screw Nut
- H. (2)—Metal Washer
- I. (1)—Glass Diffuser; ϕ 10.75"; XSU9590LGDIF10.75IN
- J. (2)—Rubber Washer
- K. (1)—Vase Cap; XSU9590LGCAP
- L. (1)—Finial; XSU9590LGFIN