

# CRYSTORAMA

95 Cantiague Rock Road, Westbury NY 11590  
 Ph: 516.931.9090 Fax: 516.931.1254  
[info@crystorama.com](mailto:info@crystorama.com) [www.crystorama.com](http://www.crystorama.com)

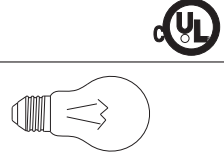
## MODEL# :6106-GA ASSEMBLY AND DRESSING INSTRUCTIONS

**WARNING**

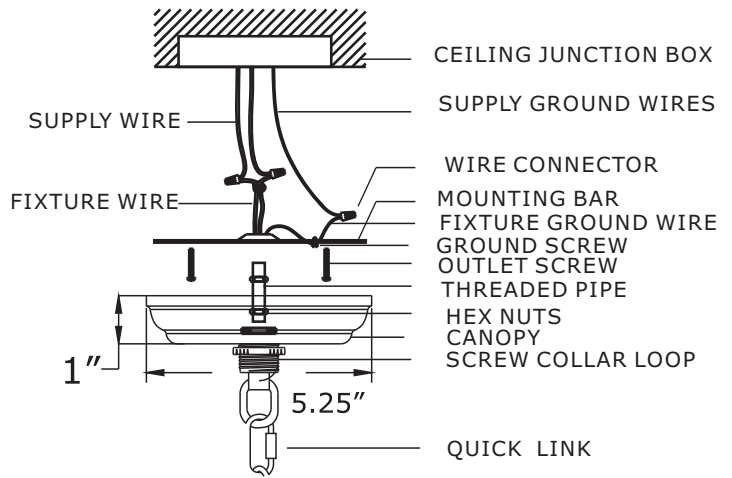
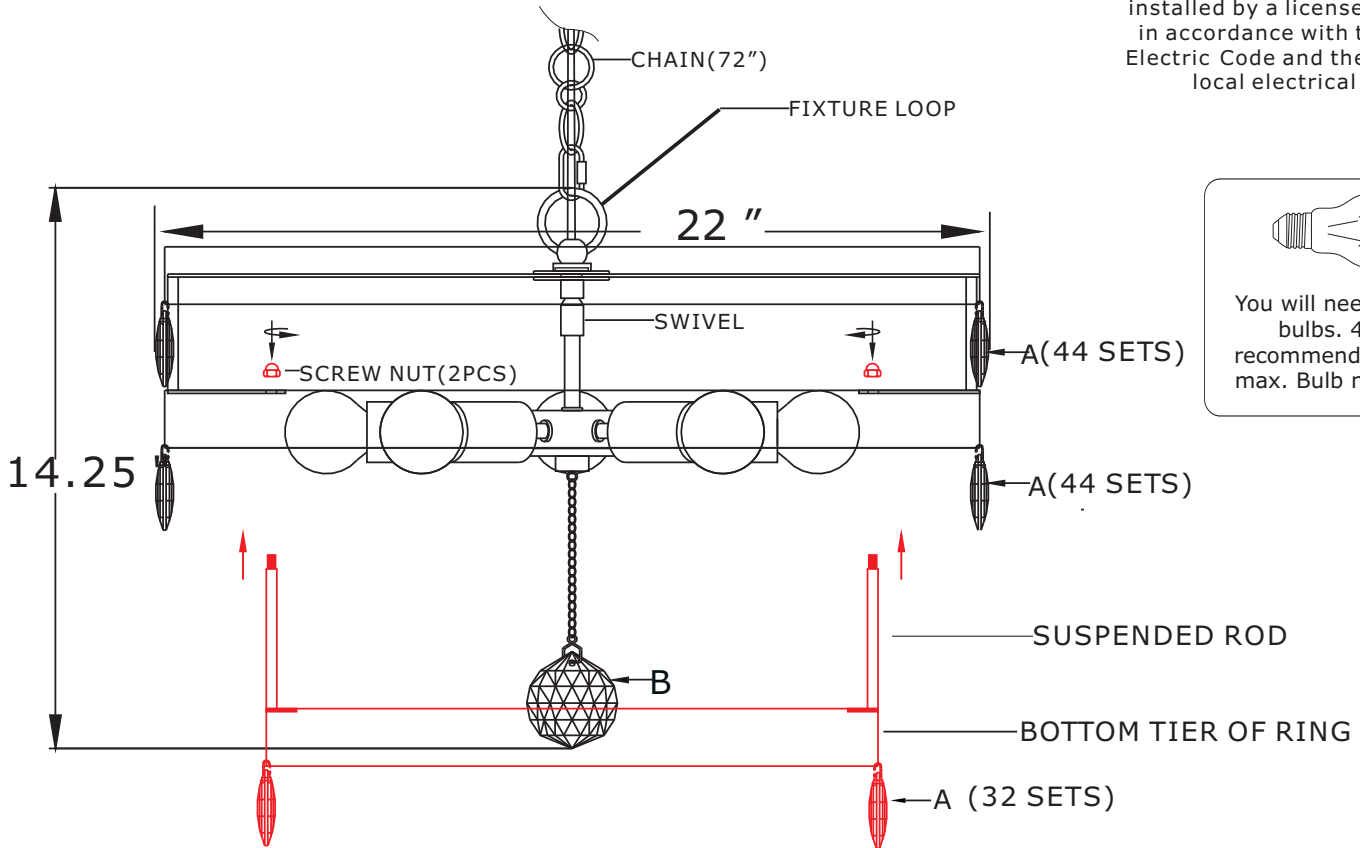



Electrical Danger Turn Power off


All electrical components must be installed by a licensed electrician in accordance with the National Electric Code and the appropriate local electrical codes



You will need 5 Medium bulbs. 40 Watts recommended 60 Watts max. Bulb not included.



A=  (CUT CRYSTAL 2") x 1 20 SETS (+) (2 SPARES)

B=  (6" CHAIN + CUT CRYSTAL BALL 2") x 1 SET