

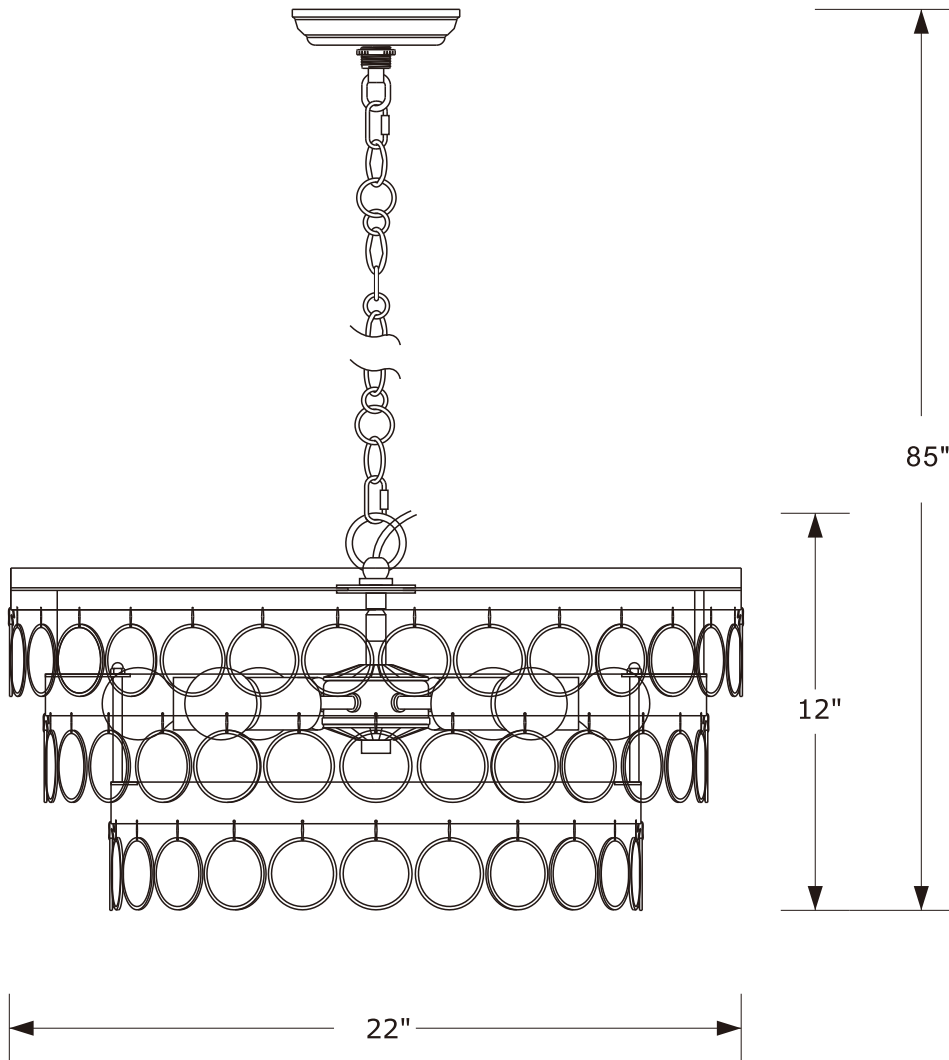
CRYSTORAMA

LIGHTING THE WAY FOR SIXTY YEARS

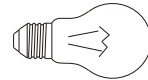


Crystorama.com

ASSEMBLY INSTRUCTION MODEL #6006-SA



All electrical components must be installed by a licensed electrician in accordance with the National Electric Code and the appropriate local electrical codes.



You will need 6-Medium Bulb
60 Watts Recommended 100 Watts Max.
USE LED BULBS FOR EXTENDED USE
THIS FIXTURE IS DAMP RATED.

How to Install

- 1 .Put the lower frame onto the upper frame by inserting the threaded rods into the holes and secure with ball nuts.
- 2.Insert recommended bulbs (not included).
- 3.Dress up the shells.

Capiz Shell Sets

A. 79 Pieces.

WARNING: This product can expose you to Lead, which is known to the State of California to cause cancer and/or birth defects or reproductive harm. For more information go to www.P65Warnings.ca.gov.

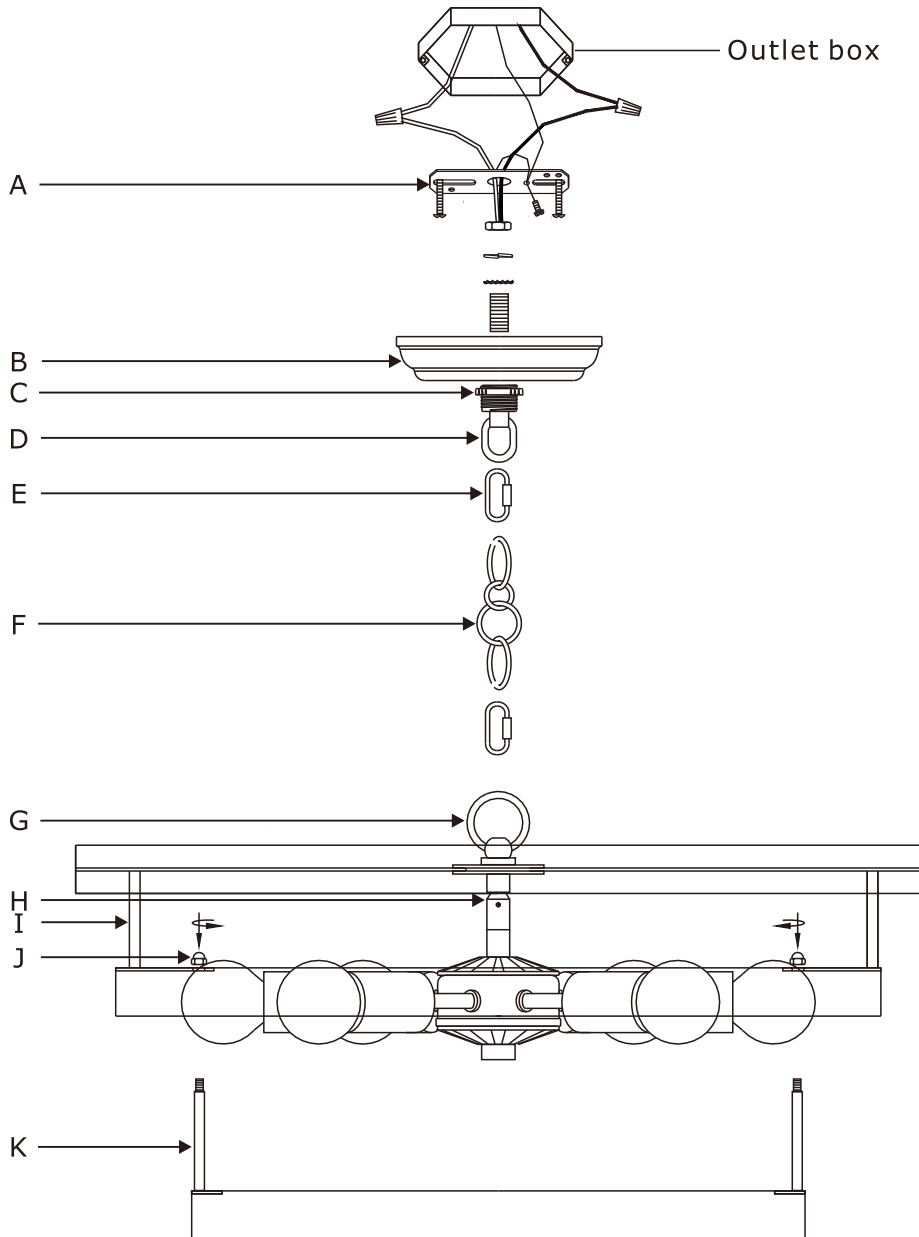
CRYSTORAMA

LIGHTING THE WAY FOR SIXTY YEARS



Crystorama.com

PART NUMBER MODEL #6006-SA



Part Number

- A. (1) - Mounting Hardware
- B. (1) - Canopy(W5.12",H1.06") #XRE6006SACAN5.12IN
- C. (1) - Collar Ring
- D. (1) - Collar Loop
- E. (2) - Quick Link
- F. (1) - Hanging Chain(72",4mm) #XRE6006SACHA4MM
- G. (1) - Fixture Loop
- H. (1) - Swivel
- I. (1) - Upper Frame
- J. (3) - Ball Nut
- K. (1) - Lower Frame