

# CRYST RAMA



1958

95 Cantiague Rock Road, Westbury NY 11590  
 ph:516.931.9090 fax: 516. 931.1254  
 info@crystorama.com www.crystorama.com

## MODEL#:5625 ASSEMBLY AND DRESSING INSTRUCTIONS

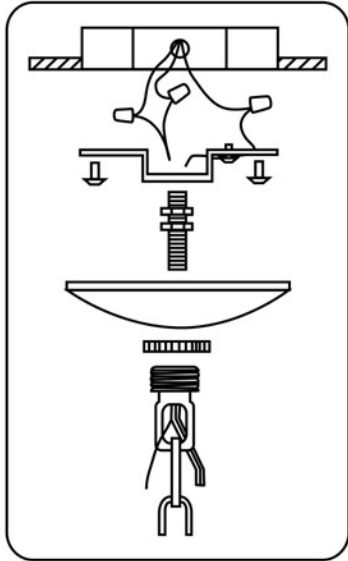
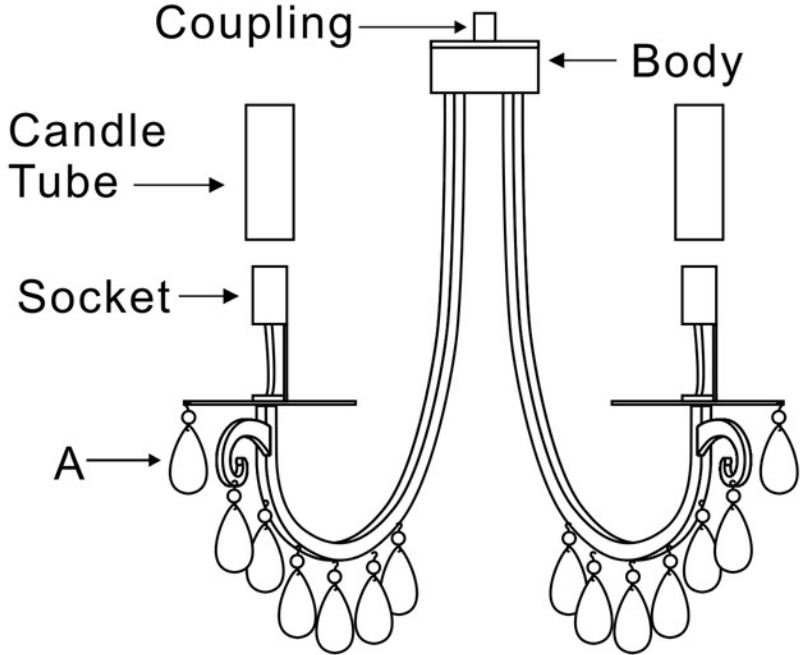
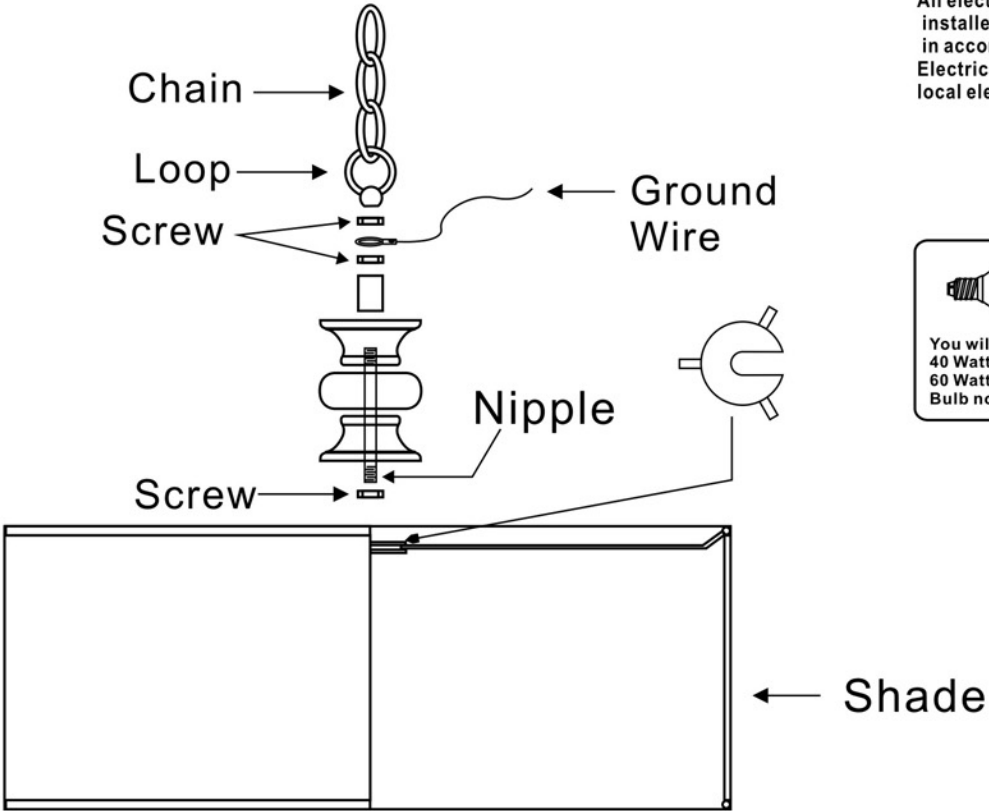
**WARNING:**

Electrical Danger Turn Power Off

All electrical components must be installed by a licensed electrician in accordance with the National Electric Code and the appropriate local electrical codes.



You will need 5- Cand.Bulb  
 40 Watts Recommended  
 60 Watts Max  
 Bulb not included.



A= (10mm+50mm)x55sets