

CRAFTMADE

Yorktown - YOR52OB5

52" Ceiling Fan with Blades

Finish: Oiled Bronze



Beautifully proportioned, with soft curves and crisp lines enhanced by a smooth and lustrous finish, Yorktown is a striking update to traditional ceiling fan design.

- Heavy-Duty, 3-Speed Reversible Motor
- 6" Downrod (Included)
- 52" Reversible Blades in Walnut/Oiled Bronze (Included)
- Dual Mount (Flat or Angled Ceiling)

Specs

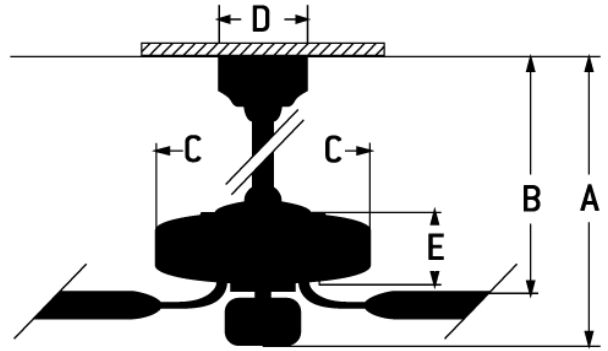
Blade Sweep Opt (in.)	52
Blades	5
Blade Pitch (°)	12.50
Motor Size (MM)	188x15
Amps at High Speed	0.62
Watts (Hi Speed)	74.10
Energy Guide Watts	47
Energy Guide CFM	6464
Energy Guide CFM_Watts	87
High Speed (CFM)	6464
Low Speed (CFM)	2250
Shipping Weight (lbs.)	21.96
Carton Size (CU FT)	1.92
Compatible Control Types	UCI-2000-2 Remote & Wall Controls
Light Kit Options	Bowl Light Kits, Universal Light Kits, or Customize Your Own (Universal Fitters and 2 1/4" Glass)

Dimensions

A:	17.70
B:	13.95
C:	12.48
D:	5.94
E:	5.35

F: w/o Light Kit -
Downrod Length (in.)

5.35
6




Downloads

Yorktown - YOR52OB5

 [PDF Tear Sheet](#)

 [Installation Guide](#)

 [Energy Guide](#)

ENERGY INFORMATION at High Speed		
Airflow	Electricity Use	Airflow Efficiency
6464	74	87
Cubic Feet Per Minute	Watts (excludes lights)	Cubic Feet Per Minute Per Watt

Compare: 49" to 60" ceiling fans have airflow efficiencies ranging from approximately 51 to 176 cubic feet per minute per watt at high speed.

Money-Saving Tip: Turn off fan when leaving room