

# CRAFTMADE



## Stellar - STE52BNK5

52" Ceiling Fan with Blades and Light Kit

**Finish:** Brushed Polished Nickel



Whether your home is traditional, transitional or modern, the clean style of the Stellar 52" ceiling fan is perfect. Streamlined in either Brushed Polished Nickel or Oiled Bronze finishes with an integrated white frost light kit.

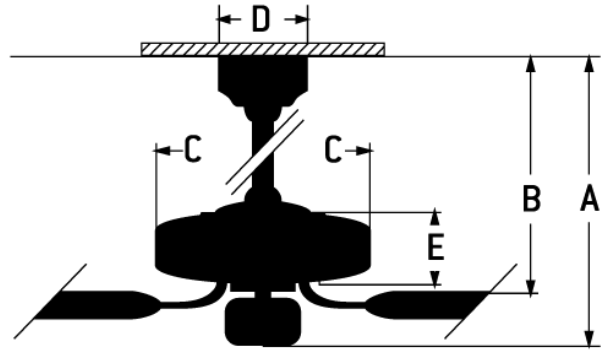
- Heavy-Duty, 3-Speed Reversible Motor
- 4" Downrod (Included)
- 52" Reversible Blades in Brushed Nickel/Maple (Included)
- Integrated LED Light Source (Dimmable)

## Specs

|                                      |                      |
|--------------------------------------|----------------------|
| Blade Sweep Opt (in.)                | 52                   |
| Blades                               | 5                    |
| Blade Pitch (deg)                    | 13.50                |
| Motor Size (MM)                      | 172x17               |
| Amps at High Speed                   | 0.63                 |
| Watts (Hi Speed)                     | 75                   |
| Energy Guide Watts                   | 45                   |
| Energy Guide CFM                     | 3657                 |
| Energy Guide CFM_Watts               | 81                   |
| Energy Guide Est. Yearly Energy Cost | 13                   |
| High Speed (CFM)                     | 5,276.180            |
| Low Speed (CFM)                      | 2,239.370            |
| Carton Size (CU FT)                  | 1.67                 |
| Blade Options                        | Fits Only            |
| Bulb CCT                             | 3000                 |
| Bulb Wattage                         | 12                   |
| CRI                                  | 90                   |
| Light Kit Options                    | Integrated Light Kit |
| Lumens                               | 900                  |

## Dimensions

|  |       |
|--|-------|
| A:   | 16    |
| B:   | 10.54 |
| C:   | 8.66  |
| D:   | 5.98  |
| E:   | 10    |
| F: w/o Light Kit -<br>Downrod Length (in.) | 4.50  |



## Downloads

---

### Stellar - STE52BNK5

 [PDF Spec Sheet](#)