

CRAFTMADE

Penbrook - PNB52BNK5

52" Ceiling Fan with Blades and Light Kit

Finish: Brushed Polished Nickel



In a world of look-alike ceiling fans, Penbrooke is a breath of fresh air. The clean, fluid lines of the fan housing, the strong, simple design of the low profile blade arms and the wide, delicately contoured fan blades are a refreshing departure from the fussiness of traditional ceiling fan design.

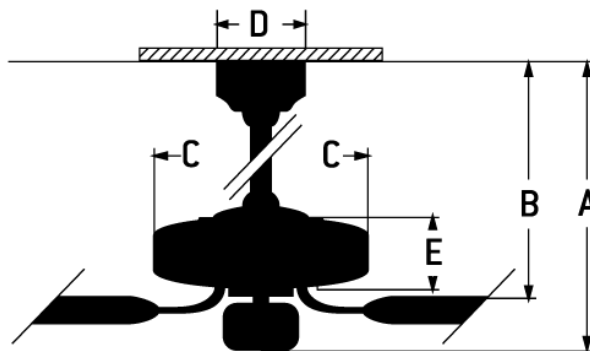
- **Standard, 3-Speed Reversible Motor**
- **4.5" Downrod (Included)**
- **52" Reversible Blades in Dark Walnut/Teak (Included)**
- **Light Kit (2-13W CFL Bulbs Included)**
- **Dual Mount (Flat or angled ceiling)**

Specs

Blade Sweep Opt (in.)	52
Blades	5
Blade Pitch (°)	12
Motor Size (MM)	153x17
Amps at High Speed	0.55
Watts (Hi Speed)	65
Energy Guide Watts	43
Energy Guide CFM	5139
Energy Guide CFM_Watts	79
High Speed (CFM)	5139.30
Low Speed (CFM)	2170.04
Shipping Weight (lbs.)	21.16
Carton Size (CU FT)	2.21
Bulb Wattage	13
Compatible Control Types	UCI-2002-2 Remote & Wall Control
Light Kit Options	Bowl Light Kit Included

Dimensions


A:	17.69
B:	10
C:	11.42
D:	5.91
E:	6.06
H:	5.91
I:	6.06
F: w/o Light Kit - Downrod Length (in.)	4.50



Downloads

Penbrook - PNB52BNK5

 [PDF Tear Sheet](#)

 [Installation Guide](#)

 [Energy Guide](#)

ENERGY INFORMATION at High Speed		
Airflow	Electricity Use	Airflow Efficiency
5139	65	79
Cubic Feet Per Minute	Watts (excludes lights)	Cubic Feet Per Minute Per Watt
Compare: 49" to 60" ceiling fans have airflow efficiencies ranging from approximately 51 to 176 cubic feet per minute per watt at high speed.		
Money-Saving Tip: Turn off fan when leaving room		