

CRAFTMADE

Morrow Bay - MR56ESP4C1

56" Ceiling Fan with Blades and Light Kit



Inspired by the mission style that became popular in the late 19th century, the transitional wet-rated Morrow Bay ceiling fan evokes refreshing simplicity, combining clean lines with warm details. Morrow Bay will open your mind and transform your space.

- Standard, 3-Speed Reversible Motor
- 6" Downrod (Included)
- 56" Blades in Teak (Included)
- Integrated Light Kit (3-40W Candelabra Bulbs Included)
- Dual Mount (Flat or angled ceiling)
- Suitable for Wet Locations

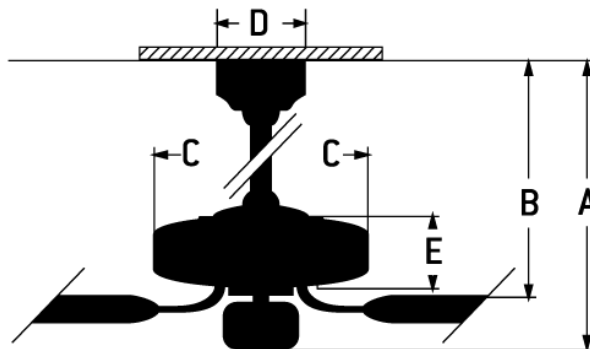
Specs

Blade Sweep Opt (in.)	56
Blades	4
Blade Pitch (°)	14
Motor Size (MM)	172x20
Amps at High Speed	0.54
Watts (Hi Speed)	63.60
Energy Guide CFM	6141
Energy Guide CFM_Watts	97
High Speed (CFM)	6141
Low Speed (CFM)	2776
Shipping Weight (lbs.)	28.06
Carton Size (CU FT)	2.84
Bulb Wattage	40
Light Kit Options	Integrated Light Kit
Finish	Espresso

Dimensions

A:	20.77
B:	13.50
C:	13.70
D:	5.91

E: 12.84
 F: w/o Light Kit - 12.84
 Downrod Length (in.) 6



Downloads

Morrow Bay - MR56ESP4C1

 [PDF Tear Sheet](#)

 [Installation Guide](#)

 [Energy Guide](#)

ENERGY INFORMATION at High Speed		
Airflow 6141 Cubic Feet Per Minute	Electricity Use 64 Watts (excludes lights)	Airflow Efficiency 97 Cubic Feet Per Minute Per Watt
Compare: 49" to 60" ceiling fans have airflow efficiencies ranging from approximately 51 to 176 cubic feet per minute per watt at high speed.		
Money-Saving Tip: Turn off fan when leaving room		