

CRAFTMADE

Acadian - ACA56BNK3

56" Ceiling Fan with Blades and Light Kit



The Acadian proves that your ceiling fan can be simple without being boring. Understated and modern, this tri-blade design with LED light kit will cool your room without overcomplicating your décor.

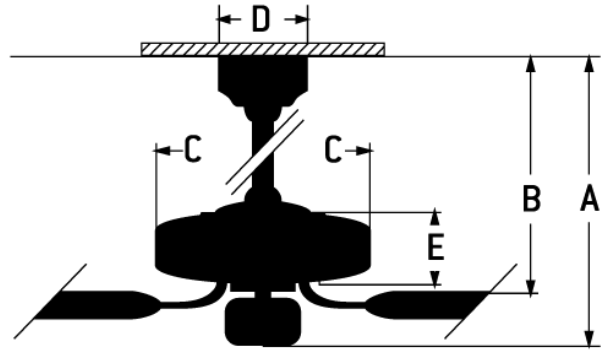
- Standard, 4-Speed Reversible Motor
- 4" and 6" Downrods (Included)
- 56" Blades in Brushed Nickel (Included)
- Integrated LED Light Source (Dimmable)
- 4-Speed Wall Control with Slide Control Light Dimmer Included
- Dual Mount (Flat or Angled Ceiling)
- LED Module is Guaranteed for 3 years
- Suitable for Wet Locations

Specs

Blade Sweep Opt (in.)	56
Blades	3
Blade Pitch (°)	16
Motor Size (MM)	153x17
Amps at High Speed	0.54
Watts (Hi Speed)	63
Energy Guide Watts	58.39
Energy Guide CFM	4858.34
Energy Guide CFM_Watts	77.12
High Speed (CFM)	4858.34
Carton Size (CU FT)	1.49
Bulb CCT	3000
Bulb Wattage	14
CRI	90
Light Kit Options	Integrated Light Kit
Lumens	1200
Finish	Brushed Polished Nickel

Dimensions

A:	14.56
A: (2" Downrod) -	13.39
B:	16.79
B: (2" downrod)	18.79
C:	8.78
D:	5.59
E:	9.13
F: w/o Light Kit -	9.13
Downrod Length (in.)	6
2" Downrod (in.)	4



Downloads

Acadian - ACA56BNK3

 [PDF Tear Sheet](#)