

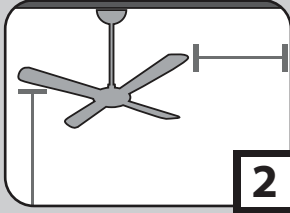
Congratulations on purchasing your new Casablanca® ceiling fan! It will provide comfort and performance in your home or office for many years. This installation and operation manual contains complete instructions for installing and operating your fan.

We are proud of our work and appreciate the opportunity to supply you with the best ceiling fan available anywhere in the world.

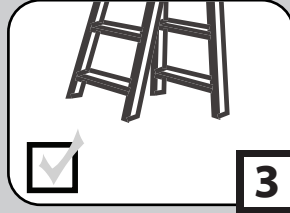
To register your fan, please visit:
www.hunterfan.com/register

Save your receipt for proof of purchase.

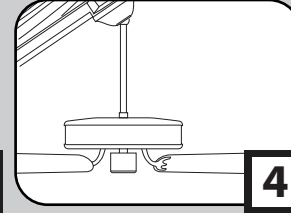
What to Expect with Your Installation



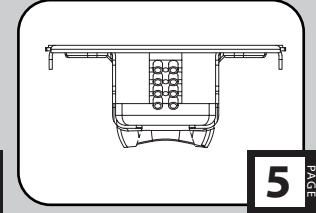
Tools Needed



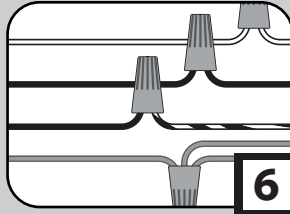
Ceiling Options



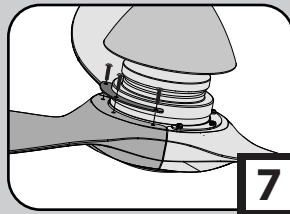
Ceiling Bracket



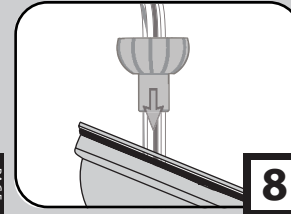
Wiring



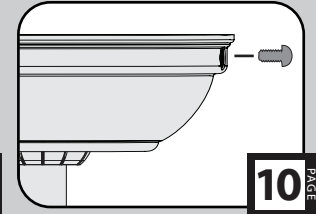
Blades



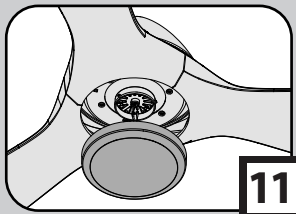
Hanging the Fan



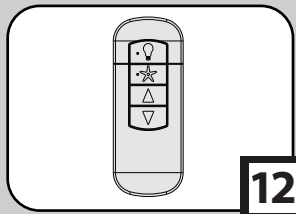
Canopy



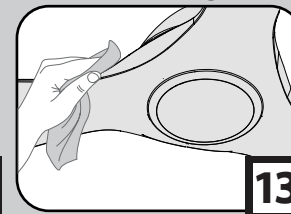
Light Kit



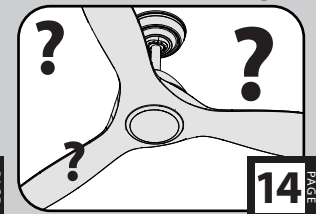
Remote Control



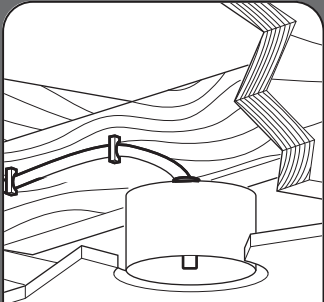
Operation, Maintenance & Cleaning



Troubleshooting



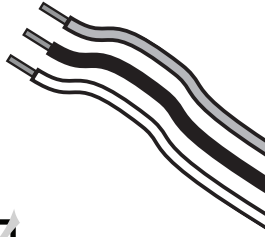
What to Expect with Your Installation



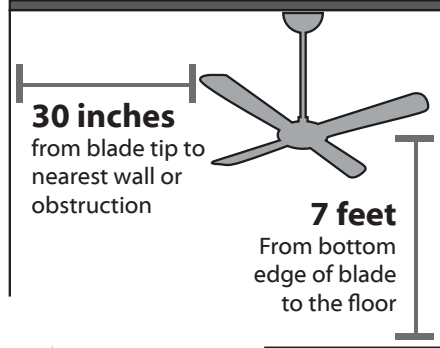
Must be able to secure the fan to building structure or fan-rated outlet box



If you are unfamiliar with wiring, use a qualified electrician.



Know your wiring



Assess location

You may need a friend to help you.



Check box to see fan weight



Ceilings that are more than 34° will require an angled mounting kit. See page 3 for details.



Assess ceiling angle

1 Standard Downrod for ceilings 8-10 feet high (Included)

2 Shorter Downrod for fans installed close to ceiling

3 Longer Downrod for ceilings 10 feet or higher



Select a downrod length. See end of manual for changing downrods

Read and Save These Instructions

⚠ WARNINGS

This product conforms to UL Standard 507.

w.1 - To reduce the risk of fire, electrical shock, or personal injury, mount fan directly from building structure and/or an outlet box marked acceptable for fan support of 70 lbs (31.8 kg) and use the mounting screws provided with the outlet box.

w.2 - To avoid possible electrical shock, before installing or servicing your fan, disconnect the power by turning off the circuit breakers to the outlet box and associated wall switch location. If you cannot lock the circuit breakers in the off position, securely fasten a prominent warning device, such as a tag, to the service panel.

w.3 - To reduce the risk of electric shock, this fan must be installed with an isolating wall control/switch.

w.4 - To reduce the risk of personal injury, do not bend the blade brackets when installing the blade brackets, balancing the blades, or cleaning the fan. Do not insert foreign objects in between rotating fan blades.

w.5 - This appliance can be used by children aged from 8 years and above and persons with reduced physical, sensory or mental capabilities or lack of experience and knowledge if they have been given supervision or instruction concerning use of the appliance in a safe way and understand the hazards involved. Children shall not play with the appliance. Cleaning and user maintenance shall not be made by children without supervision. It is recommended that children be supervised to ensure that they are not using the appliance improperly.

w.6 - To reduce the risk of fire or electric shock or injury to persons, do not use replacement parts that have not been recommended by the manufacturer (e.g. parts made at home using a 3D printer).

⚠ CAUTIONS

c.1 - All wiring must be in accordance with national and local electrical codes ANSI/NFPA 70. If you are unfamiliar with wiring, use a qualified electrician.

c.2 - Use only Hunter replacement parts.

This equipment has been tested and found to comply with the limits for a Class B digital device, pursuant to part 15 of the FCC Rules. These limits are designed to provide reasonable protection against harmful interference in a residential installation. This equipment generates, uses and can radiate radio frequency energy and if not installed and used in accordance with the instructions may cause harmful interference to radio communications.

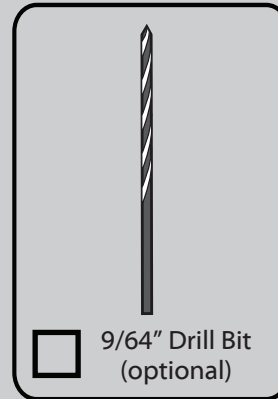
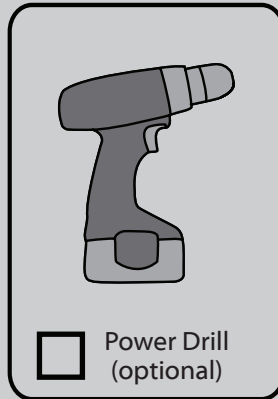
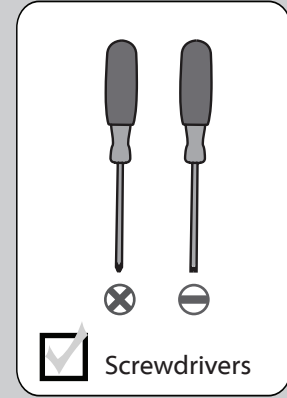
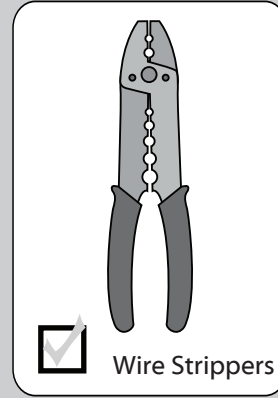
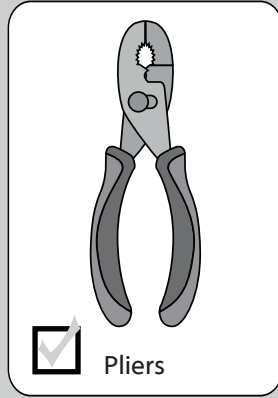
However, there is no guarantee that interference will not occur in a particular installation. If this equipment does cause harmful interference to radio or television reception, which can be determined by turning the equipment off and on, the user is encouraged to try to correct the interference by one or more of the following measures:

- Reorient or relocate the receiving antenna.
- Increase the separation between the equipment and receiver.
- Connect the equipment into an outlet on a circuit different from that to which the receiver is connected.
- Consult the dealer or an experienced radio/TV technician for help.

Caution: modifications not approved by the party responsible for compliance could void user's authority to operate the equipment.

This device complies with Part 15 of the FCC Rules. Operation is subject to the following two conditions: (1) This device may not cause harmful interference, and (2) this device must accept any interference received, including interference that may cause undesired operation.





If mounting to a support structure, you will also need these tools.

34°

CEILING ▲

If you have a flat ceiling:Hang your fan by a standard downrod (*included*).Standard
Mounting

OPTION 1

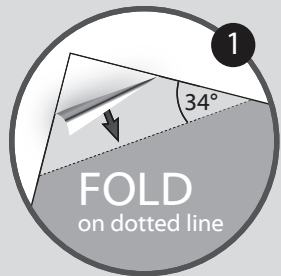
If you have an angled ceiling:

1. You will need a longer downrod (*sold separately*).
2. If your ceiling angle is greater than 34°, you will also need an Angled Mounting Kit (*sold separately*).

Angled
Mounting

OPTION 2

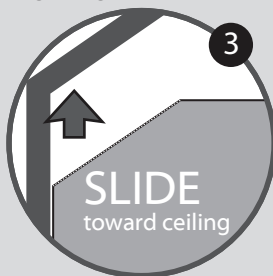
Use the three steps below to determine if your ceiling angle is greater than 34°



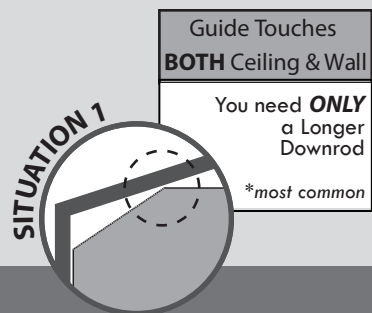
1

FOLD
on dotted line

2

PLACE
against wall

3

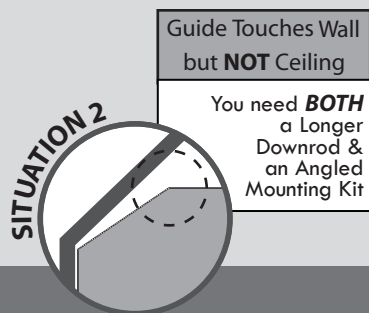
SLIDE
toward ceiling

SITUATION 1

Guide Touches
BOTH Ceiling & Wall

You need **ONLY**
a Longer
Downrod

**most common*



SITUATION 2

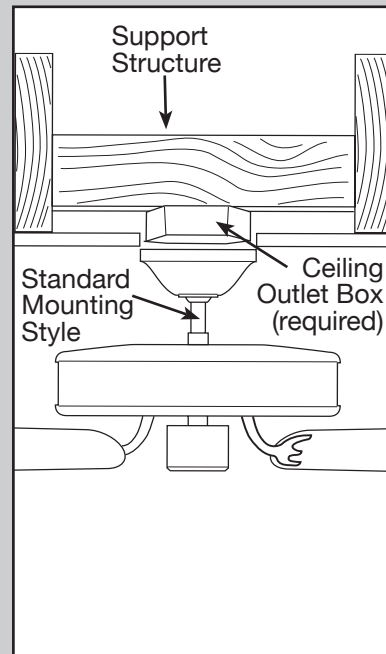
Guide Touches Wall
but **NOT** Ceiling

You need **BOTH**
a Longer
Downrod &
an Angled
Mounting Kit

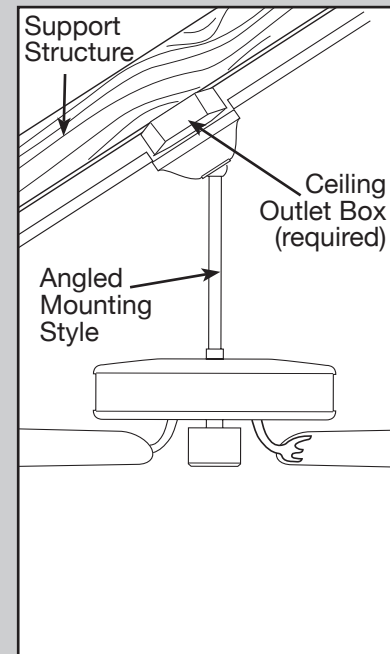
Ceiling Options

www.hunterfan.com

1.888.830.1326

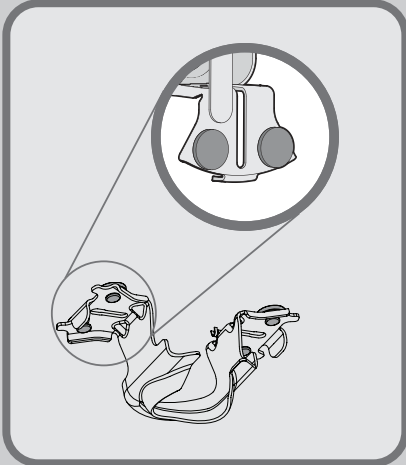
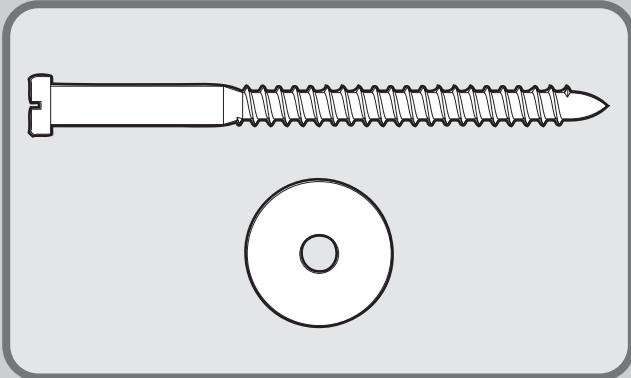
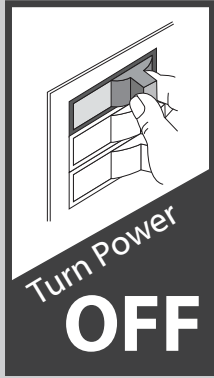


Use **Standard Mounting**
or **Low-Profile Mounting**
to hang the fan from a flat ceiling.

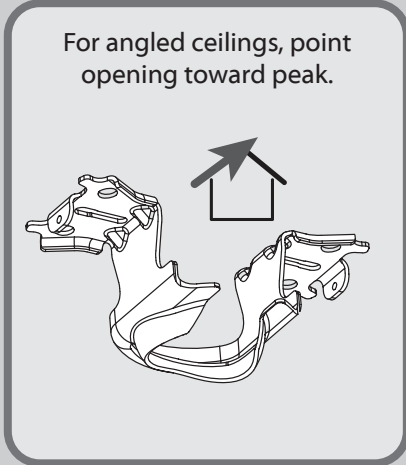


Use **Angled Mounting**
to hang the fan from a
vaulted or angled ceiling.

4



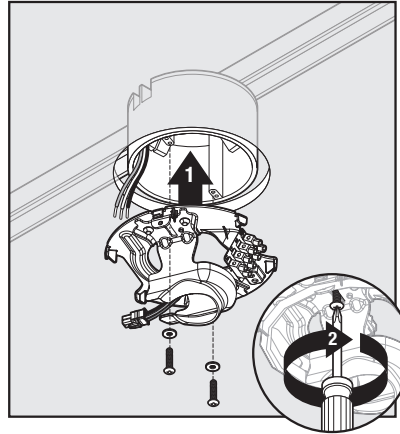
Make sure all four bumpers are still attached.



For angled ceilings, point opening toward peak.

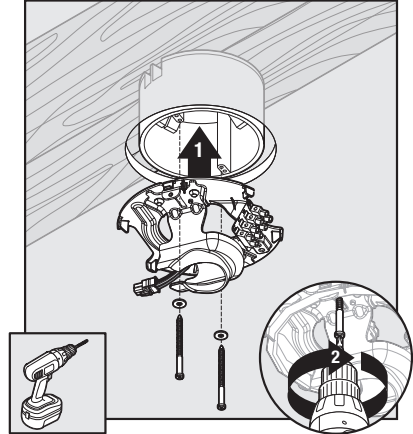
If you are unable to do this, call Technical Support at 1-888-830-1326.

Box Outlet Mount



Use wood screws (included) when securing to support structure with approved electrical outlet box. Drill 9/64" pilot holes in support structure to aid in securing ceiling bracket with hardware found in the ★ hardware bag.

Building Structure Mount



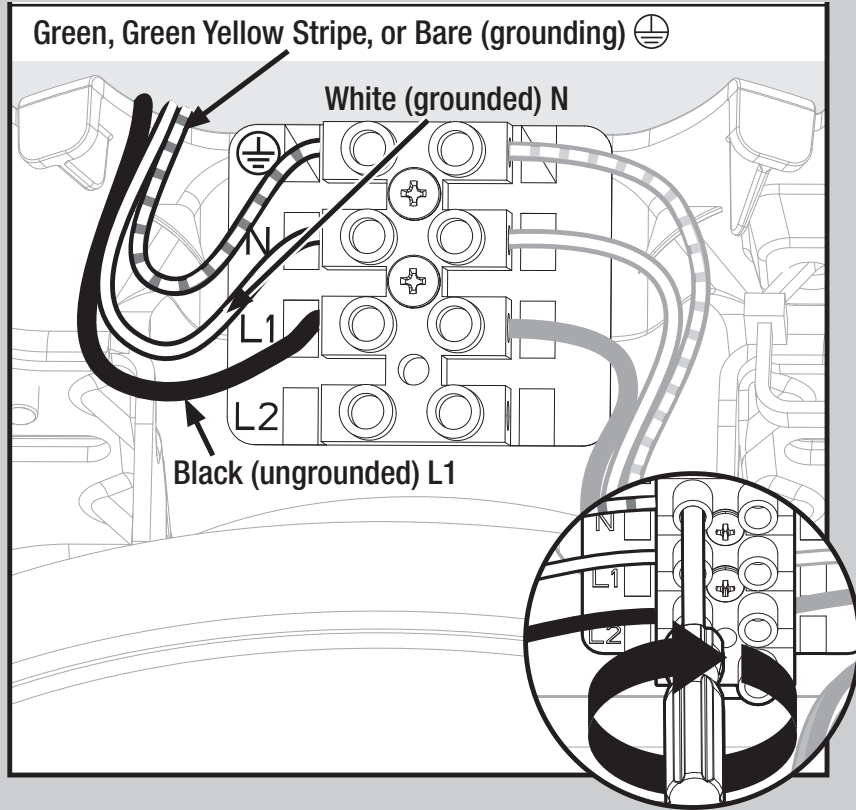
Use machine screws (provided with outlet box) when securing to existing ceiling fan-rated outlet box. Make sure it is securely installed and is acceptable for fan support of 31.8 kg (70 lbs) or less.

⚠ WARNING ⚡

To avoid possible electrical shock, before installing your fan, disconnect the power by turning off the circuit breakers to the outlet box associated with the wall switch location.

Refer to warning w.1 on pg. 2



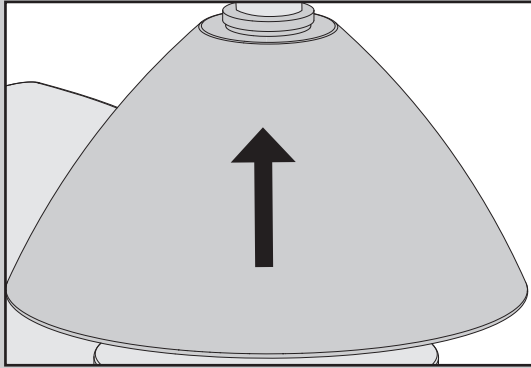


Connect wiring from ceiling to terminal block (on side of canopy mount) and tighten using flathead screwdriver (included). Any additional wiring from ceiling should be capped with a wire nut.

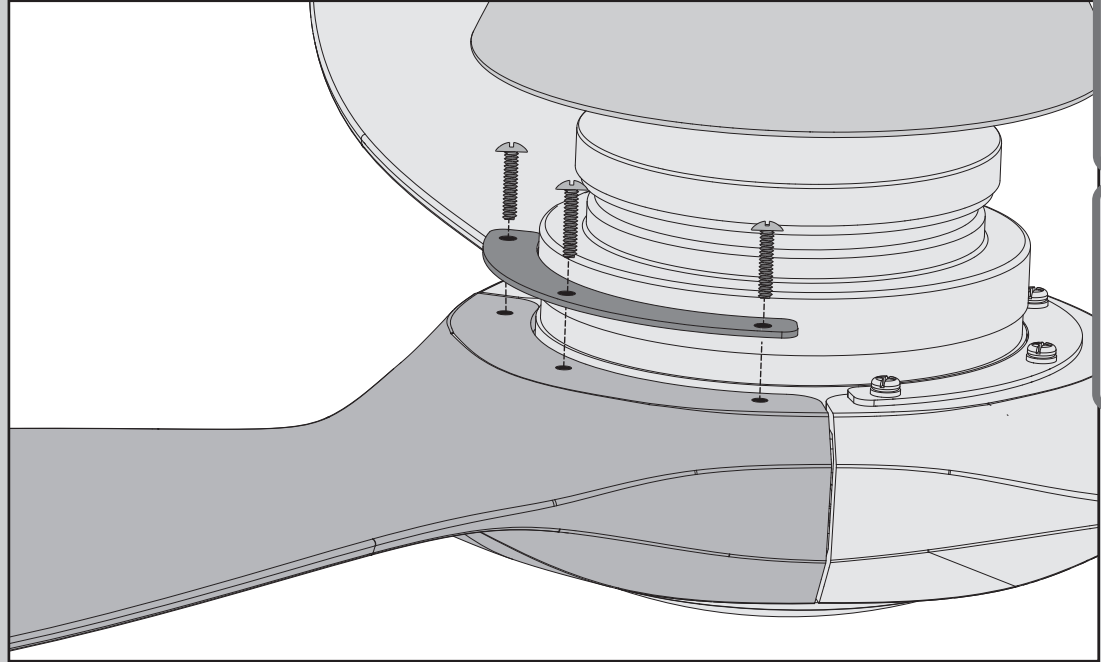
WARNING



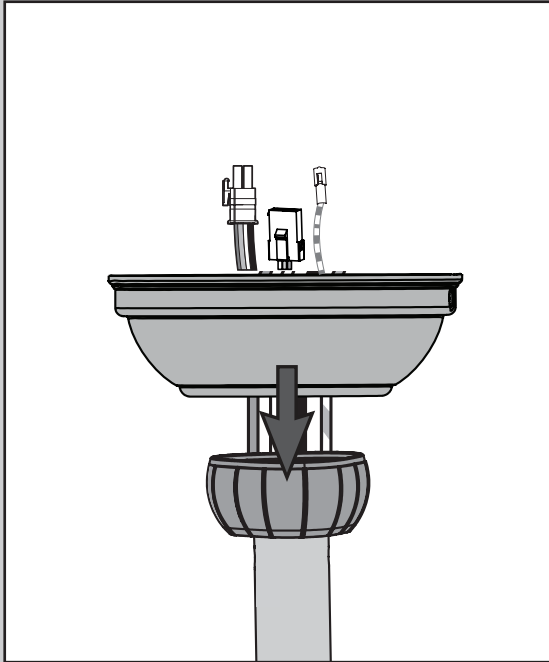
- To avoid possible electrical shock, before installing your fan, disconnect the power by turning off the circuit breakers to the outlet box associated with the wall switch location.
- All wiring must be in accordance with national and local electrical codes ANSI/NFPA 70. If you are unfamiliar with wiring or in doubt, consult a qualified electrician.
- The ceiling fan must be grounded. If the ground wire for the installation site is not present, immediately **STOP** installation and consult a qualified electrician.



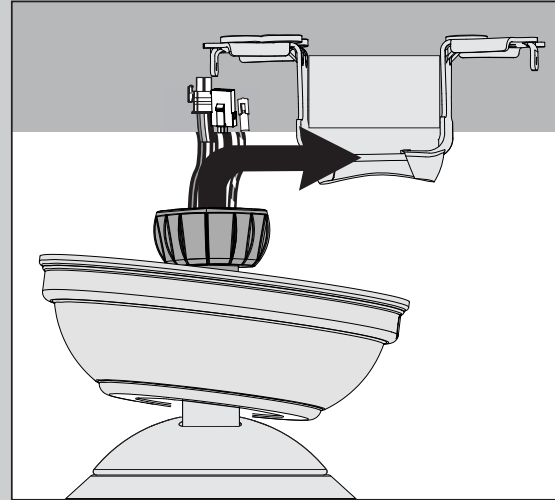
Lift up the adapter cover
along the downrod.



Align the blades screw holes with the screw holes of the motor. Put the blade washers found in the ■ hardware bag onto the blade screws found in the ▲ hardware bag. Then install the blade screws to secure each blade to the fan.



Put the wires and downrod through the canopy. Let the canopy sit loosely on top of the fan.



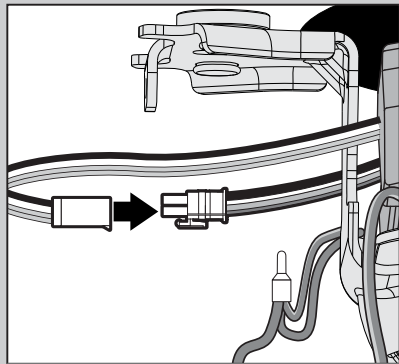
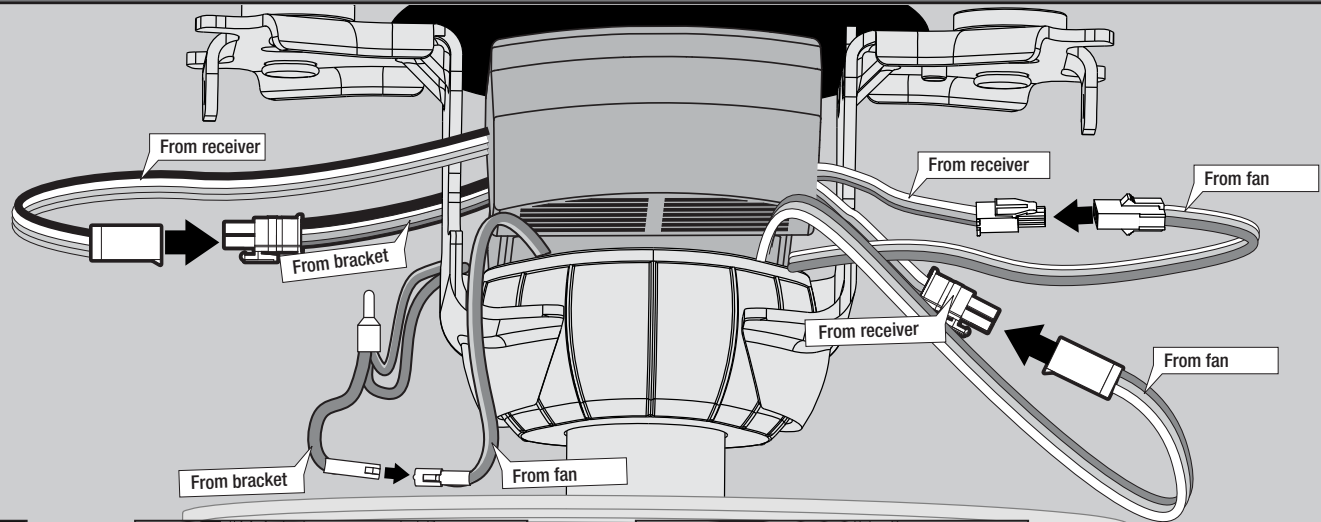
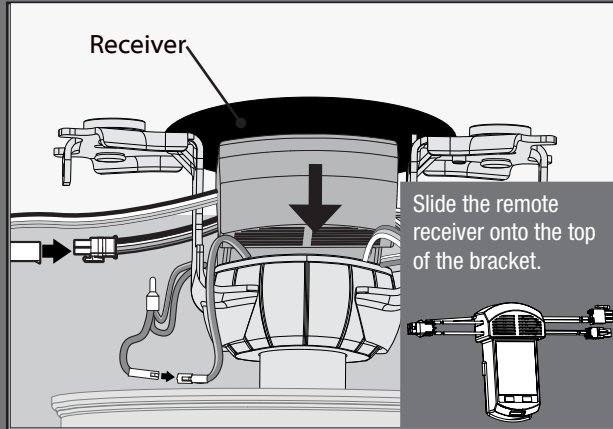
DO NOT PICK THE FAN UP BY THE CANOPY OR WIRES. Place the downrod ball into the slot in the ceiling bracket.

Note:

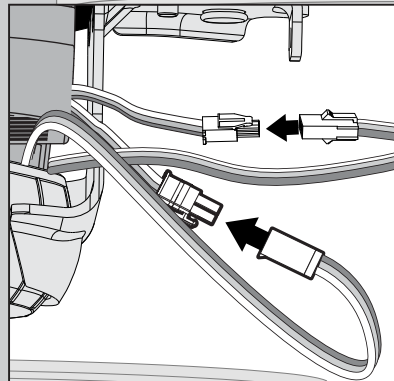
Fan style may vary.

NOTICE

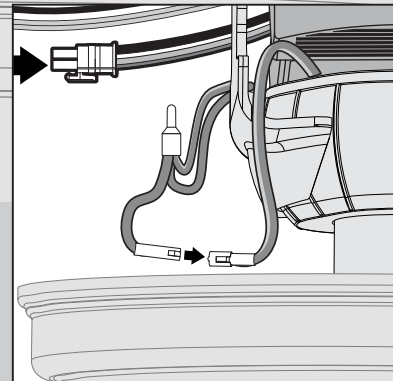
To prevent damage to fan, ALWAYS lift holding either the fan housing or the downrod.



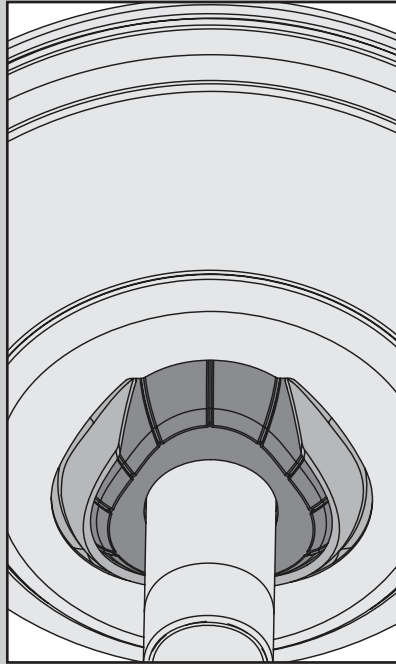
Connect wiring harness from ceiling bracket to the wiring harness from the receiver. Match up the colored wires.



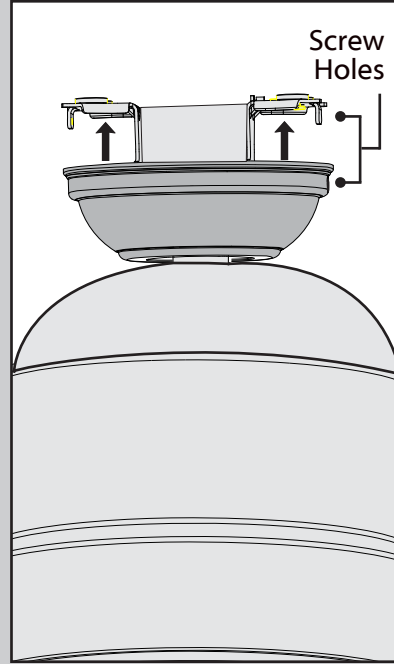
Connect both wiring harnesses from fan to the wiring harness from the receiver. Match up the colored wires.



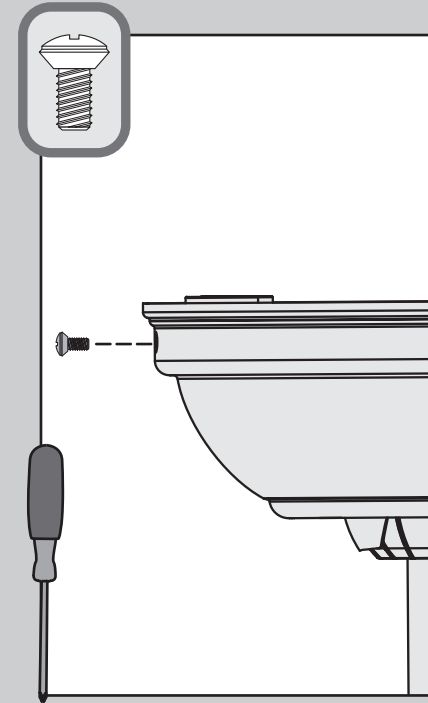
Connect the grounding wire plug from the downrod to the grounding wire plug from the ceiling bracket.



Position the canopy so that, when lifted into place, the canopy fits into the hanging bracket as shown.



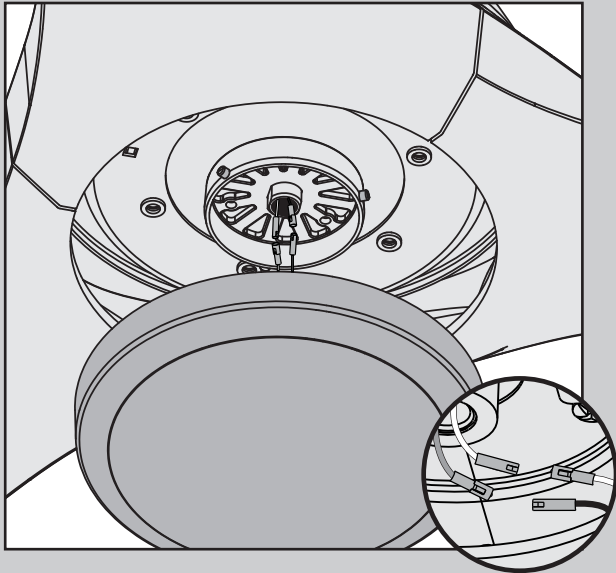
Lift the canopy into place so that the screw holes are aligned.



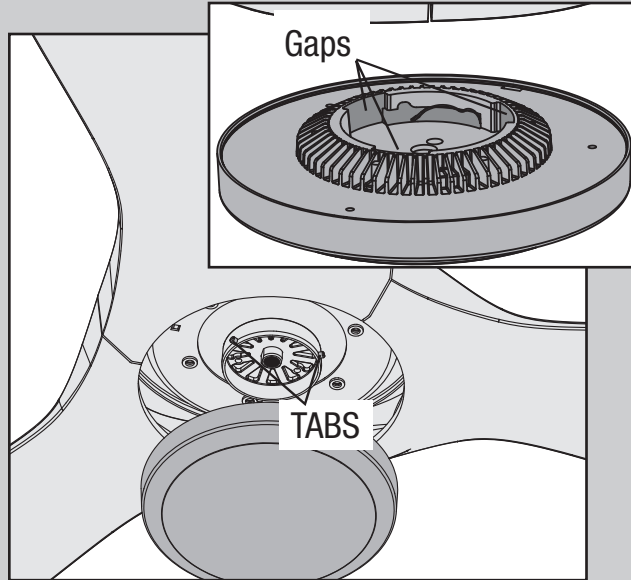
⊗ Insert the two canopy screws found in the ● hardware bag.

Note:

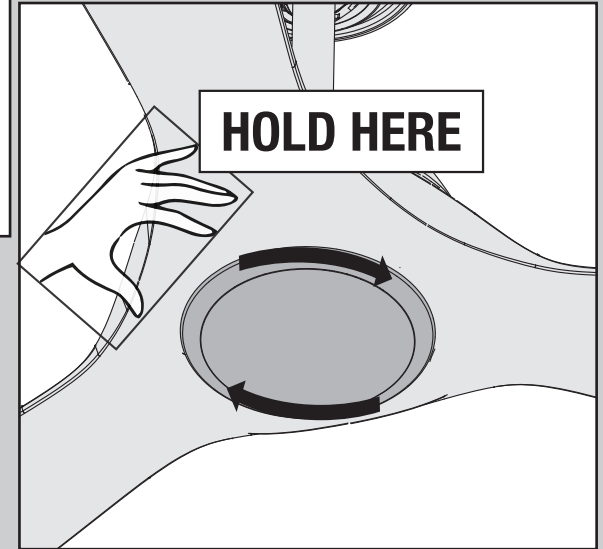
Fan style may vary.



Connect the white wire from the fan to the white wire from the light kit, then connect the black wire from the fan to the black wire from the light kit.



Raise the light kit to the bottom of the fan. Align the tabs of the light kit ring with the gaps of the fan mounting plate.

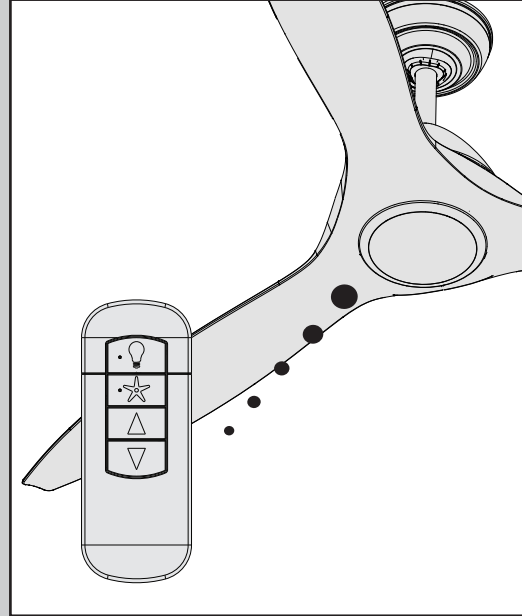
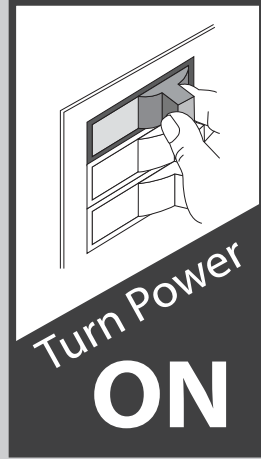
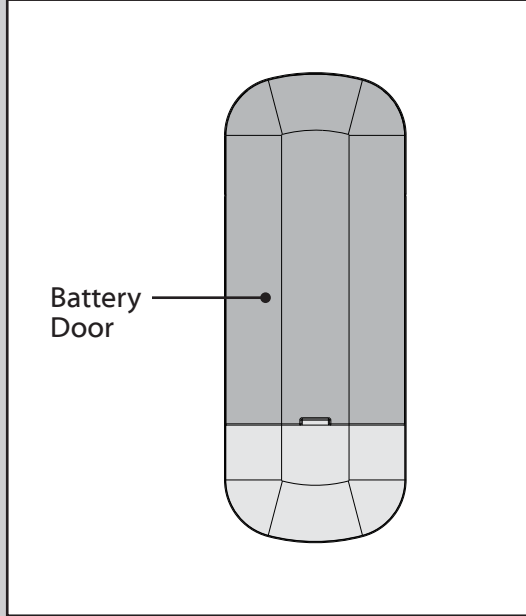


Hold the fan body stationary and rotate the light fixture clockwise to engage the locking pin.

WARNING**GLASS FALL HAZARD**

To prevent **SERIOUS INJURY** or **DEATH**, make sure that glass is properly secured.





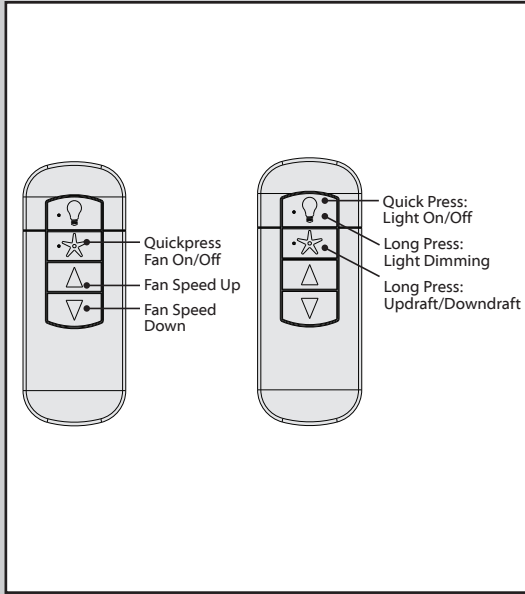
To access the battery compartment, remove the the battery door to the transmitter assembly. Install two AAA batteries, found in the remote control hardware bag, into the transmitter. Clean the battery contacts prior to installing the batteries. Please contact your local battery recycling center for proper battery disposal information.

The remote transmitter is already paired to the receiver and ready to use. For your convenience, a remote function card is packed in with your remote.

Note: If you would like to operate multiple fans or multiple remotes, or if your remote is not working, please see the Troubleshooting section at the end of this manual.



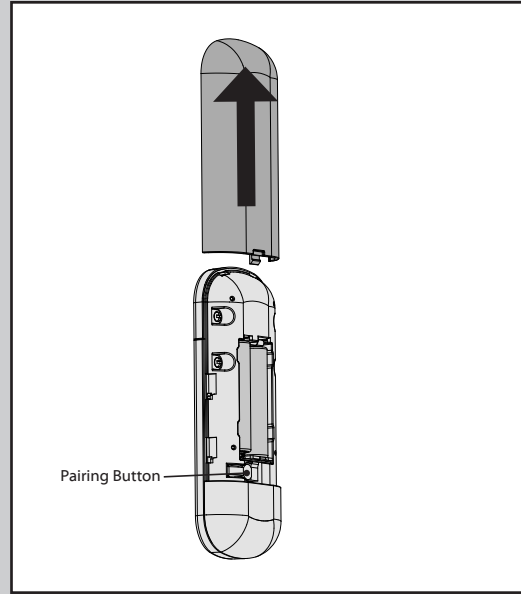
See next page for fan operation instructions. →



The Fan On/Off button turns the fan on or off. Adjust the fan speed using the “Fan Speed Up” or “Fan Speed Down” directional buttons.

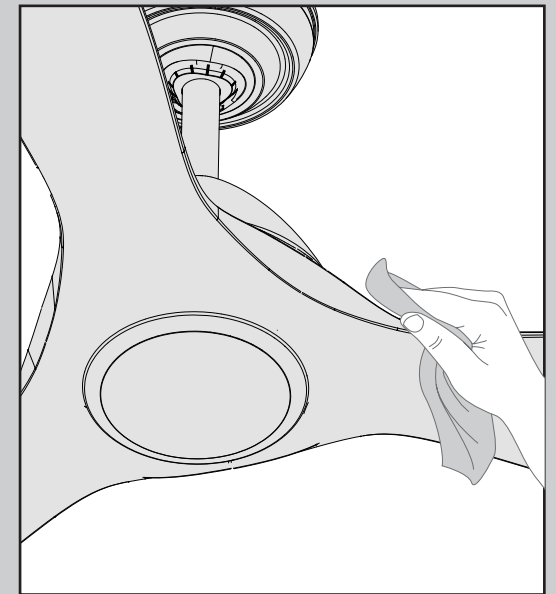
Quickly press the Light button to turn the lights off and on. Hold the Light button to raise and dim the light level.

Dimming Mode: Dimming mode is on by default. To toggle Dimming Mode on or off, long press the “Fan Speed Up” button and “Fan Speed Down” button.



To change the direction of air flow, long press the fan button.

Note: If you need to pair your remote, turn fan power off and back on at the wall switch. Within 3 minutes, press and release the “PAIR” button on the back of the remote. **Do not hold down the button.** To prevent faulty operation, please ensure all other ceiling fans within range are turned off at the wall switch while pairing.



For cleaning the fan, use soft brushes or cloths to prevent scratching. Cleaning products may damage the finishes.

Fan doesn't work

- Press a fan speed button.
- Check the circuit breaker to ensure the power is turned on.
- Make sure the remote control battery is working.
- Make sure the blades spin freely.
- Turn off power from the circuit breaker, then loosen the canopy and check all the connections according to the wiring diagram on page 6.
- Check the plug connections in the switch housing.

Excessive wobbling

- Tighten all of the blade screws until they are snug.
- Turn the power off, support the fan carefully, and check that the hanger ball is properly seated.
- Use the provided balancing kit and instructions to balance the fan.

Noisy Operation

- Tighten the blade screws until they are snug.
- Check to see if any of the blades are cracked. If so, replace all of the blades.

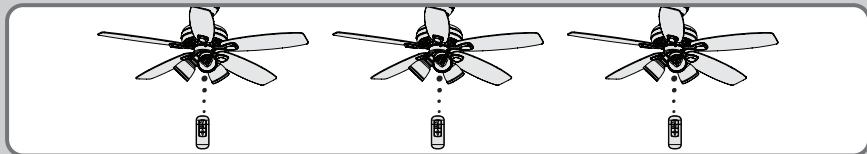
Remote does not work

- Make sure the batteries are installed correctly.
- Install new batteries.
- If the remote still does not work, you may need to pair your remote. **To prevent faulty operation, please disconnect power (at the wall switch, breaker, or fan) from all other ceiling fans within range while pairing.** If you need to pair your remote, turn fan power off and back on at the wall switch. Within 3 minutes, press and release the "PAIR" button on the back of the remote. Do not hold down the button. To prevent faulty operation, please ensure all other ceiling fans within range are turned off at the wall switch while pairing.

LED lights will not dim

- Dimming mode is on by default. To toggle Dimming Mode on or off, long press the "Fan Speed Up" button and "Fan Speed Down" button.

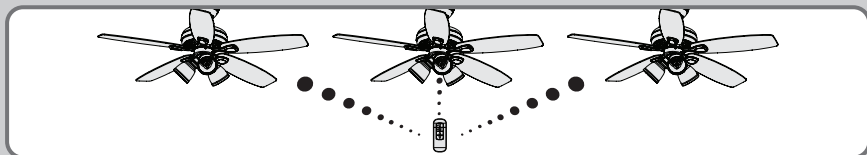
Installing Multiple Fans with Independently Operating Remote Controls



To install multiple fans with independently operating remote controls, **there is no need to perform any pairing procedures**. Each set of receiver/transmitter is already paired. Simply install each receiver into a fan and use the appropriate transmitter to operate each fan.

If your remote is not working, see the “Remote does not work” section on the previous page.

Installing Multiple Fans Operating on a Single Remote Control

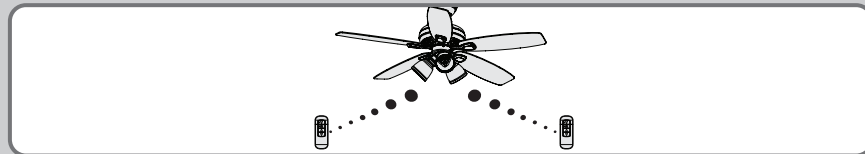


To have multiple fans operated by a single remote control, you must pair the transmitter to each additional receiver. The receiver that shipped with your fan is already paired to the transmitter.

Note: To prevent faulty operation, you MUST disconnect power (at the wall switch, breaker, or fan) from all other ceiling fans within range while pairing each fan.

For each additional fan, ensure that a compatible receiver is installed. Disconnect power from all other fans while pairing. To pair: cycle power to the fan by turning power off and back on at the wall switch (or circuit breaker if necessary). Within 3 minutes, press and release the “PAIR” button on the back of the remote. Do not hold down the button. To prevent faulty operation, please ensure all other ceiling fans within range are turned off at the wall switch while pairing.

Installing One Fan Operating on Multiple Remote Controls

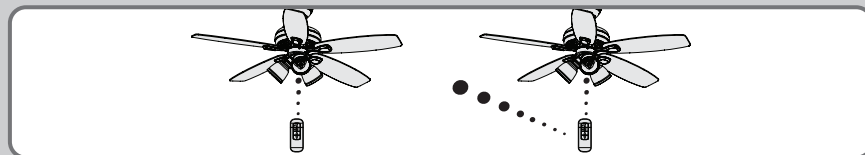


To have multiple remote controls operate one fan, you must pair each additional transmitter to the receiver in the fan. The transmitter that shipped with your fan is already paired.

Note: To prevent faulty operation, please disconnect power (at the wall switch, breaker, or fan) from all other ceiling fans within range while pairing.

For each additional transmitter, cycle power to the fan by turning power off and back on at the wall switch (or circuit breaker if necessary). Within 3 minutes, press and release the “PAIR” button on the back of the remote. Do not hold down the button. To prevent faulty operation, please ensure all other ceiling fans within range are turned off at the wall switch while pairing.

“Unpairing” Procedure for Faulty Operation of Remote Controls

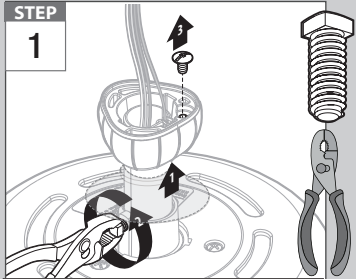


If a transmitter is mistakenly operating a fan, you need to “unpair” the transmitter from that fan’s receiver. The “unpairing” procedure is the same as the pairing procedure.

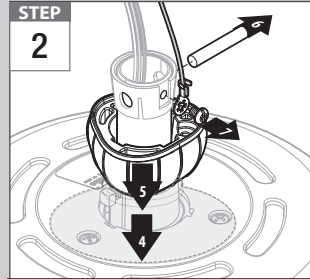
Note: To prevent faulty operation, you MUST disconnect power (at the wall switch, breaker, or fan) from all other ceiling fans within range while “unpairing” a fan.

Disconnect power from all other fans while “unpairing.” Then, cycle power to the fan you wish to “unpair” by turning power off and back on at the wall switch (or circuit breaker if necessary). Within three minutes, press and hold “PAIR” button for four seconds to “unpair” the remote. If applicable, the fan will turn off and the lights will flash and turn off to indicate successful “unpairing.”

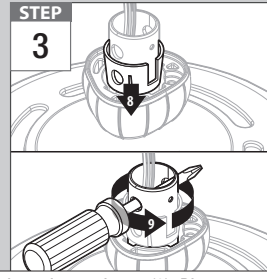
If you need a different downrod length follow these steps:



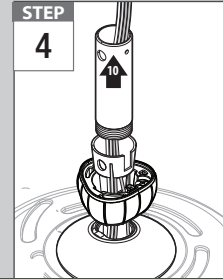
Lift adapter cover (1). Loosen set screw (2) and remove ball screw (3).



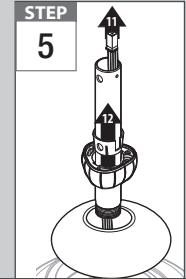
Lower adapter cover (4), slide ball down (5), remove small metal pin (6) and ground screw (7).



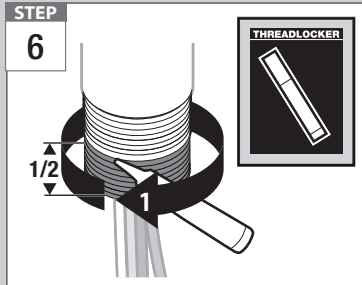
Slide down inner sleeve (8). Place screwdriver through hole in downrod (9) making sure not to hit or twist wiring. Twist screwdriver counter-clockwise to break downrod free.



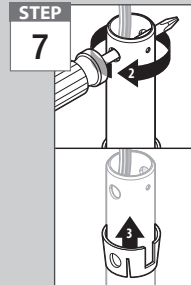
Remove adapter cover, ball, inner sleeve and downrod from fan body (10) and wiring harness.



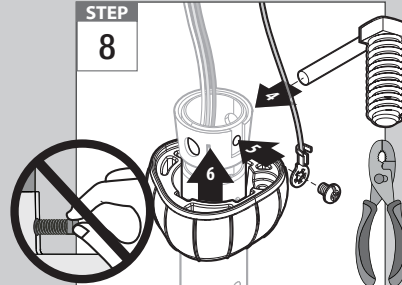
Route ground wire and wiring harness through accessory downrod—12" max. (11). Slide adapter cover, inner sleeve and ball over downrod (12).



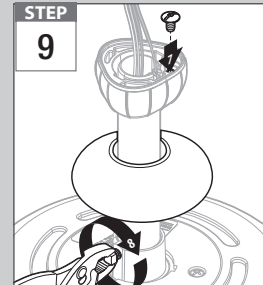
After cleaning pipe thread area, apply 1 ml threadlocker to lower half of downrod (1).



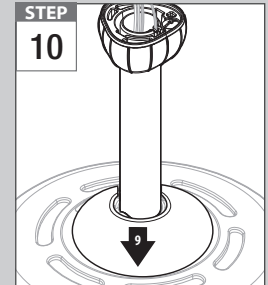
Place screwdriver through hole in downrod (2) making sure not to hit or twist wiring. Twist screwdriver clockwise to tighten. Slide up inner sleeve (3).



Reinstall small metal pin (4) and ground screw (5) DO NOT HAND TIGHTEN. Slide ball up (6).



Reinstall ball screw (7) and tighten set screw (8).



Lower adapter cover (9).

Note:

Fan style may vary.

WARNING

FAN FALL HAZARD

To prevent SERIOUS INJURY or DEATH:



- ALWAYS tighten setscrew with pliers.
- DO NOT hand tighten setscrew.
- CHECK the setscrew is tight using pliers each time you change fan direction. ALWAYS follow the downrod assembly instructions exactly.

- VERIFY the downrod is assembled correctly by firmly pulling on the hanger ball.
- Pin must be reinserted to secure downrod assembly.

- This product can expose you to chemicals including Cumene, which is known to the State of California to cause cancer. (For more information, go to www.P65Warnings.ca.gov.)

Threadlocker:

Risk phrases: R43 May cause sensitisation by skin contact. R52/53 Harmful to aquatic organisms, may cause long-term adverse effects in the aquatic environment.

Safety phrases: S61 Avoid release to the environment. Refer to special instructions/Safety data sheets. S24 Avoid contact with skin. S37 Wear suitable gloves.

For ceilings over 10 feet, purchase a Hunter® DC wire extension kit and downrod online.