



CAL LIGHTING

3625 E. Philadelphia St. Ontario CA. 91761 • Tel:
909.947.5200 • Fax:

909.947.5673 • www.calighting.com • service@calighting.com •
Specifications subject to change without notice

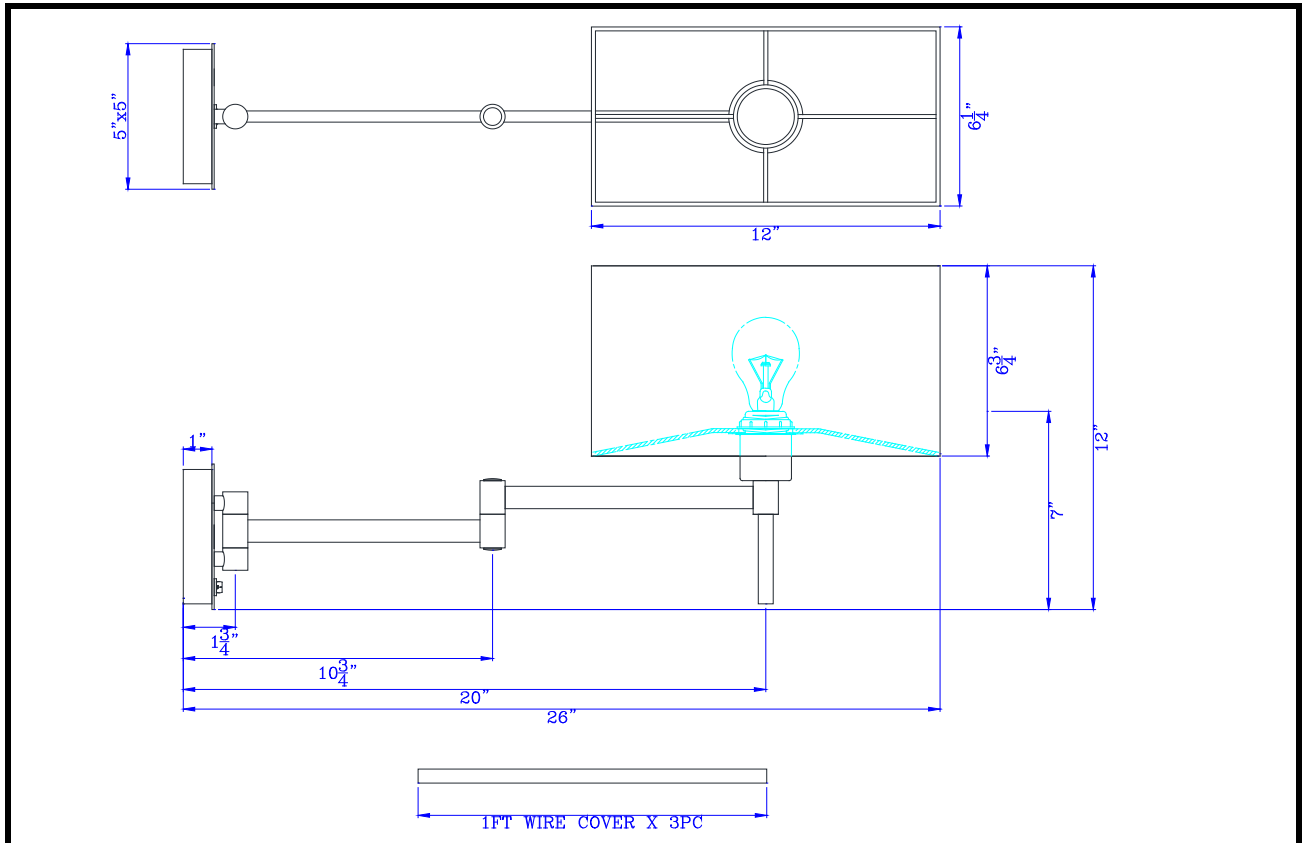
Type: _____

Project: _____

Catalog No.: _____

WL-2930-BS

Lamp/Wattage: _____



- Model No:** WL-2930-BS
Description: 60W Robson wall swing arm reading lamp with rectangular hardback fabric shade. 3 ft wire cover included.
Material: Metal
Finish : Brushed Steel
Height: 12"
Width: 6 1/4"
Reach/Depth: 26" Max
Base Width: 5"x5"
Wattage : 60W
Socket : Medium Base (E26)
Switch: On/off Rocker
Bulb: Incandescent, CFL
Wire Length: 6'
Wire Color: Silver
Shade No:
Material: Fabric
Shade size: 6 1/4"x12" x 6 1/4"x 12"x6 3/4"
Certificate :

