

## ASSEMBLY AND INSTALLATION

### INSTRUCTION

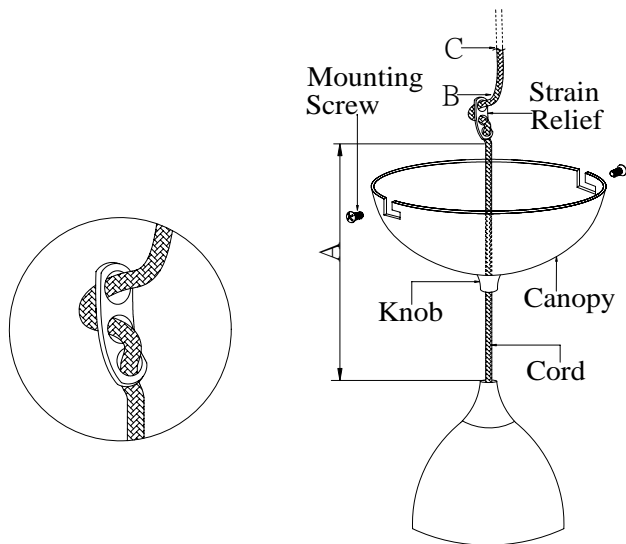
#### For Low Voltage One Light W/Aircraft Cord

**WARNING :** Before starting installation, turn off power by removing fuses or turning off circuit breakers. Turning off the power by using the light switch is not sufficient to prevent electrical shock. If you feel you do not have electrical experiences needed, have the fixture installed by a qualified licensed electrician.

**CAUTION :** This is just an installation "guide ". Pls check with your local certified electrician for proper installation per your city code. We can not be held liable for the use or misuse of the installation guide provided.

#### Preparation for wiring :

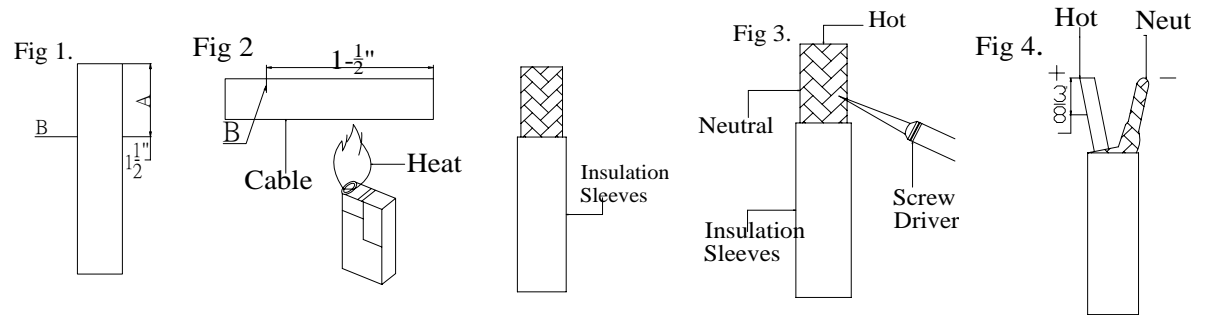
1. Thread cord through knob, canopy. Measure your desired length of A and then thread the cord into strain relief like the picture shows. Adjust the strain relief to the B and leave additional length of 3" - 4" from B to C and cut off the unnecessary cord.



2. Within the length of 1-1/2" A on the cord near the end, mark B ( See Fig 1 ), heat the sleeves of cord ( if sleeves is available ) for a while and use knife slightly cut the sleeves ( See Fig 2 )

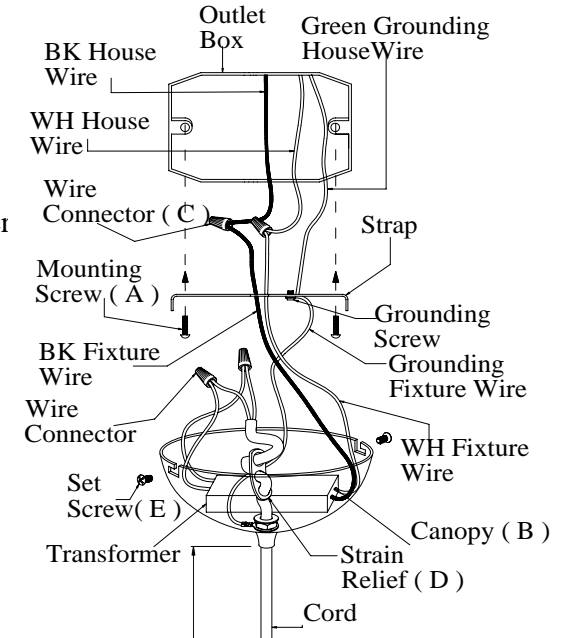
**CAUTION : Cutting too deep may cut off the neutral woven wire and hot wire inside.**

3. Peel off the sleeves A ( See Fig 2 ), then squeeze the neutral woven wire near the cord end about 1-1/2" position, pick a hole with a screw driver ( See Fig 3 ) and pull the hot wire out of the hole of neutral ( See Fig 4 ), and strip about 3/8" insulation from Hot wire by stripper . Twist the neutral wire of cord for wiring.



#### Wiring :

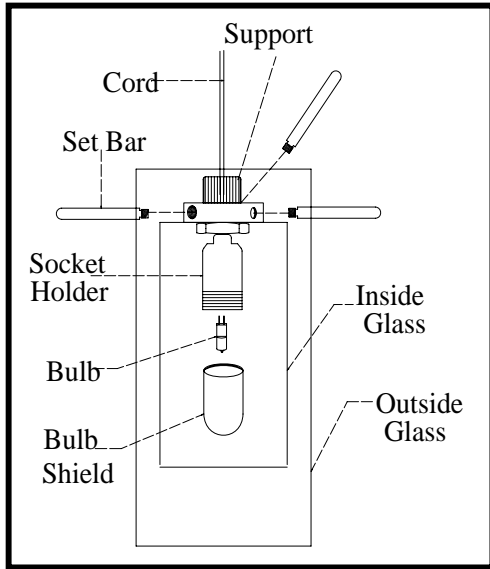
1. Attach Hot fixture wire to RED transformer wire and Neutral woven wire to RED transformer wire by wire connectors.
2. Lay the transformer inside the canopy.
3. Mount strap securely to outlet box with 2pcs of 5/32" screws provided ( A )
4. Hold the canopy ( B ) and attach BK transformer wire to BK house wire; WH transformer wire to WH house wire with wire connectors ( C )
5. Attach Green Grounding fixture wire and Green Grounding House wire to Green Grounding screws on strap.
6. Tuck extra wires carefully into outlet box
7. Pull the cord downward until the strain relief ( D ) touches the bottom of canopy.
8. Fix the canopy to strap by rotating two set screws ( E ). Install the recommended bulb and screw the cylinder tempered glass to protect the lamp.
9. Turn on the power



# HOW TO ASSEMBLE BULB/BULB SHIELD/GLASS :

NOTE : PRIORITY TO WIRING,ASSEMBLE BULB/BULB SHIELED/GLASSES

( A )

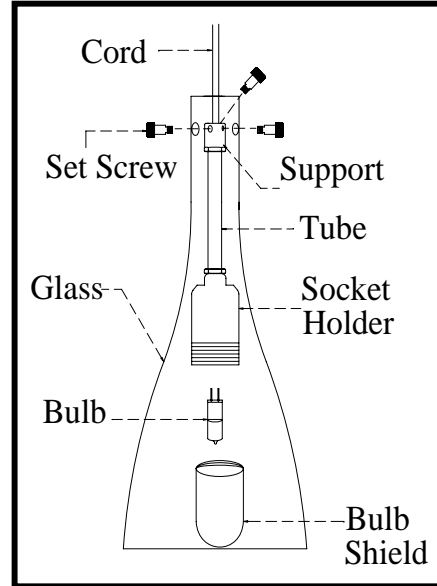


## Type A Glass ( Glass in Glass )

1. Install bulb.
2. Install bulb shield by rotation until it is tight on the socket holder.
3. Install inside glass in the outside glass by screwing the set bars one by one through holes of outside glass and support ,and then rotat them until they are tight.

**NOTE : Adjust inside glass so that the holes are in line with holes of outside glass for screwing of set bar.**

( B )

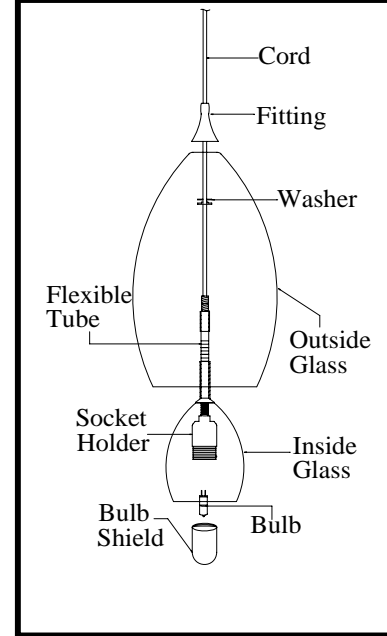


## Type B Glass

1. Slide cord through glass ,and then slide cord through support.
2. Install support on the top of tube by rotation until it is tight.
3. Fix the glass on the support by screwing the set screws one by one through holes of glass and support,and then rotate set screws until set screws are tight.
4. Install bulb.
5. Install bulb shield.

**NOTE : Adjust inside glass so that the holes are in line with holes of outside glass for screwing of set**

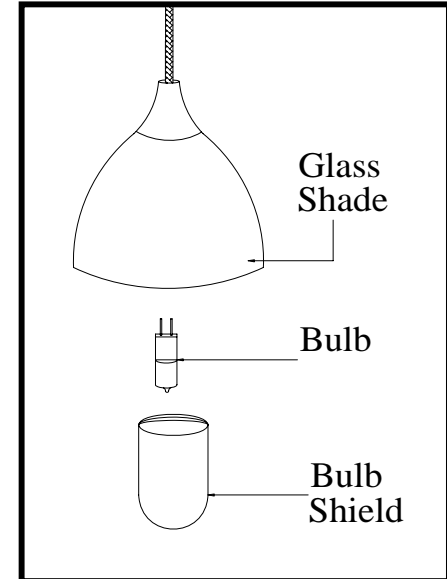
( C )



## TYPE C Glass ( Glass in glass )

1. Install bulb
2. Install bulb shield by rotation u it is tight on the socket holder
3. Install the inside glass in the outside glass by screwing the fitting on the top of flexible tube until it it tight.
4. Hold the inside glass and adjust the inside glass to the center of outside glass.

( D )



## Type D Glass

1. Install bulb
2. Install bulb shield by rotation until it is tight on the socket holder