



CAL LIGHTING

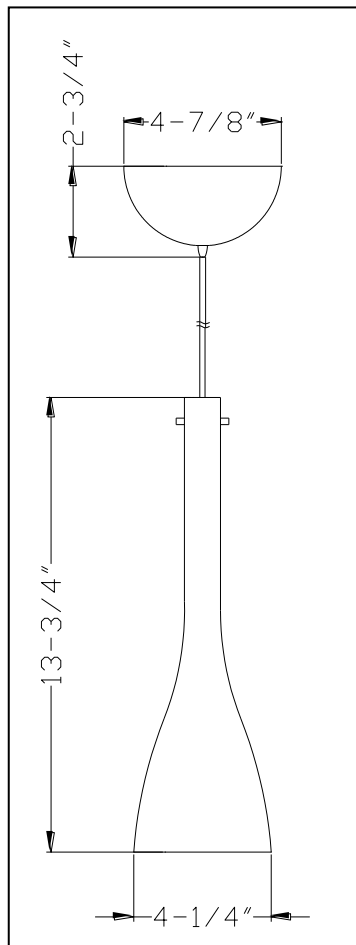
3625 E. Philadelphia St. Ontario CA. 91761 • Tel: 909.947.5200 • Fax:
909.947.5673 • www.calighting.com • service@calighting.com •
Specifications subject to change without notice

Type: _____

Project: _____

Catalog No.: _____

Lamp/Wattage: _____



Model No. : UP-1055

Material : Mouth blown glass

Cord : 6' is the basic length, 10' & 18' length are available by special order

Bulb : GY 6.35, Bi-Pin, Halogen

Socket : GY 6.35, Bi-Pin

Voltage : 12V

Wattage : 35W Max.

Cord Finish : DB (dark bronze)

Canopy : Dia. 4 7/8", H 2 3/4"

Certificate : 