



CAL LIGHTING

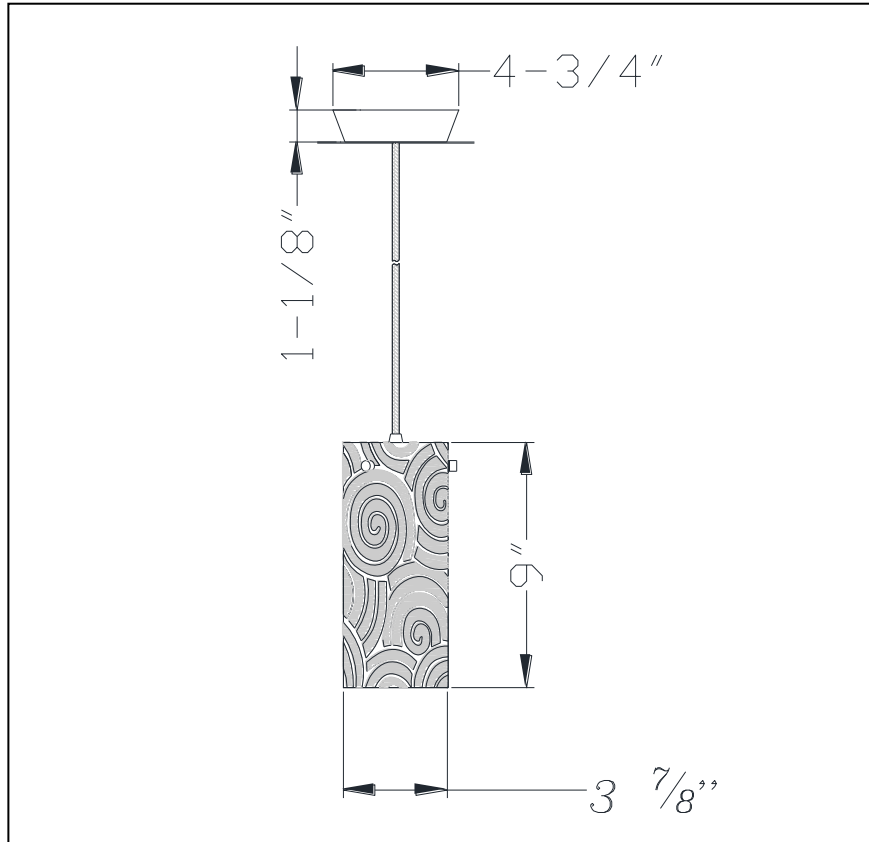
3625 E. Philadelphia St. Ontario CA. 91761 • Tel: 909.947.5200 • Fax:
909.947.5673 • www.calighting.com • service@calighting.com •
Specifications subject to change without notice

Type: _____

Project: _____

Catalog No.: _____

Lamp/Wattage: _____



Model No. : UP-1019

Material : Gold plated mouth blown glass

Cord : 6' is the basic length, 10' & 18' length are available by special order

Bulb : Incandescent bulb

Socket : E26 Medium base

Voltage : 120V

Wattage : 60W Max.

Cord Finish : BS (brushed steel)

Canopy : Dia. $4 \frac{3}{4}$ " H: $1 \frac{1}{8}$ "

Certificate :

