



CAL LIGHTING

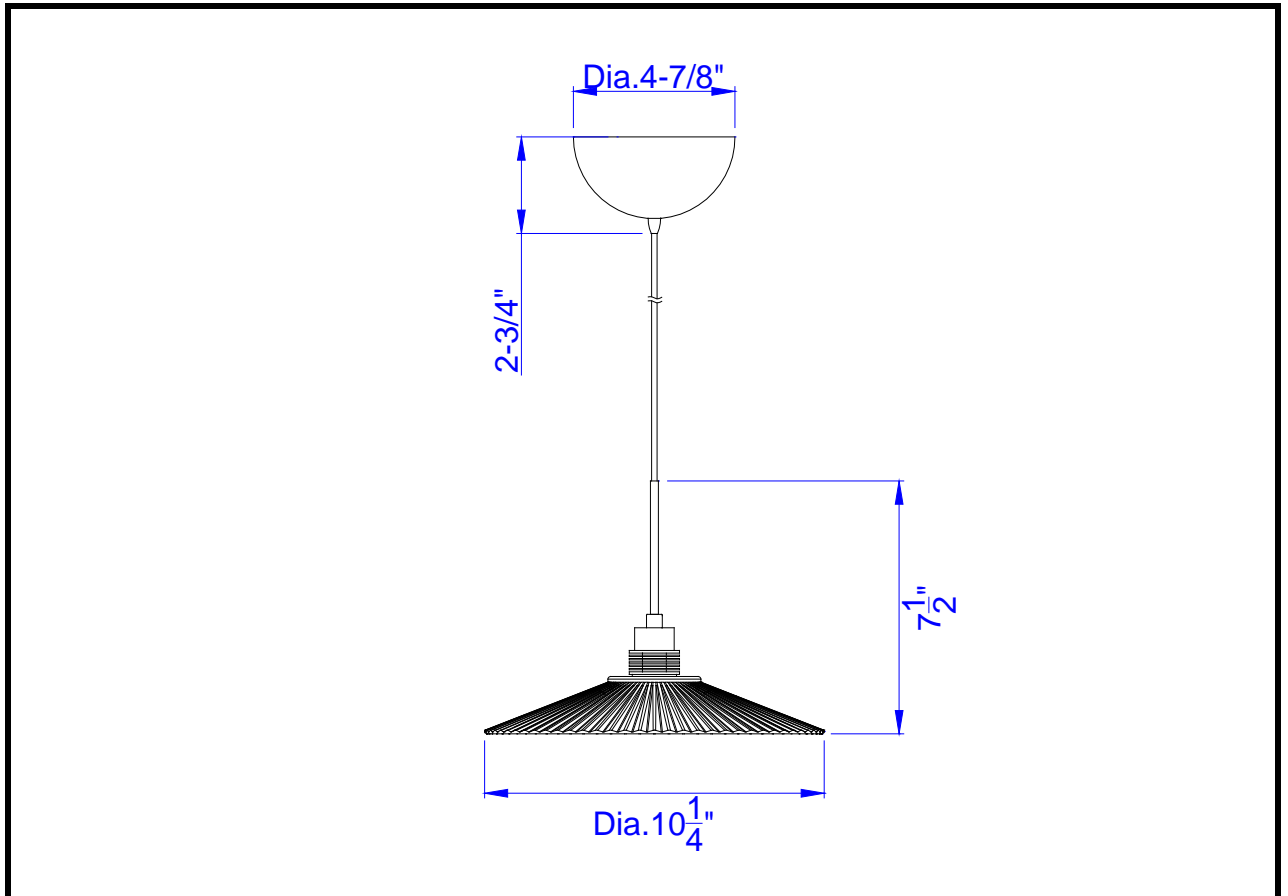
3625 E. Philadelphia St. Ontario CA. 91761 • Tel: 909.947.5200 • Fax:
909.947.5673 • www.calighting.com • service@calighting.com •
Specifications subject to change without notice

Type: _____

Project: _____

Catalog No.: _____

Lamp/Wattage: _____



- Model No. :** UPL-715
- Description:** Dimmable 8W LED Light (Similar to 12V, 35W Halogen)
- Material :** Metal
- Cord :** 6.5' wire (Uncuttable)
- Cord Finish :** DB (dark bronze)
- Shade Finish:** AM/Amber
- Material :** Glass/Metal
- Voltage :** 120V
- Dimming:** Dimmable
- Wattage** 8W
- Lumen** 480
- Kelvin** 2800K~3200K
- CRI** 85
- Rated Life:** 30,000 Hours
- Warranty:** Three Years

Certificate : 