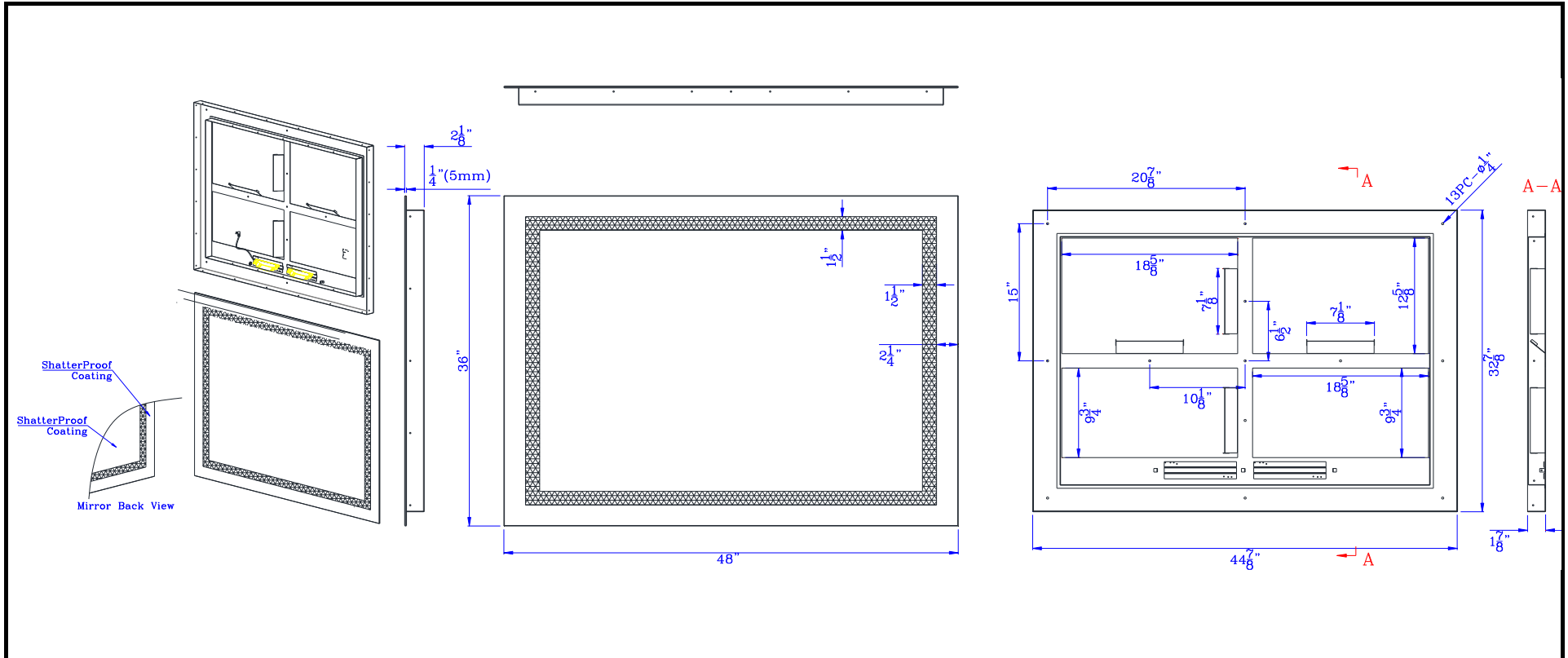




CAL LIGHTING

3625 E. Philadelphia St. Ontario CA. 91761. Tel: 909.947.5200. Fax: 909.947.5673. www.calighting.com
service@calighting.com. Specifications subject to change without notice

Project Name: _____
Area: _____
Catalog No.: **LM4IS-C4836**
sign reference number _____



Model No. : LM4IS-C4836
Description: 4-Side Inset style LED Lighted Mirror with Reversible easy to install CLEAT mechanism. 1 1/2" frosted glass 2 1/4" away from the edge. ShatterProof Film Size:48"x36" (Frost Area Excluded)
Waterproof: IP44
Size: 36"X48" or 48"x36"
Depth: 2 1/8"
Voltage : 120V
Glass Thickness: 1/4" (5MM)
Cord length Furnished with a 5ft, 3 prong plug. Plug can be field cut for hardwire
Mirror Finish Lead free, double coated mirror backing to prevent pinholes and corrosion
Chasis Finish Power coating white, Corrosion free

LED: UL5630 Double Strips
Dimming: Non-dimmable

Wattage : 78W
Color Tem: 3000K
Lumen : 7020 Lumen
CRI : 80+
Driver 5000mA x 2
Warranty Three Years

Certificate: 