



CAL LIGHTING

3625 E. Philadelphia St. Ontario CA. 91761. Tel: 909.947.5200. Fax: 909.947.5673. www.calighting.com. service@calighting.com.
Specifications subject to change without notice

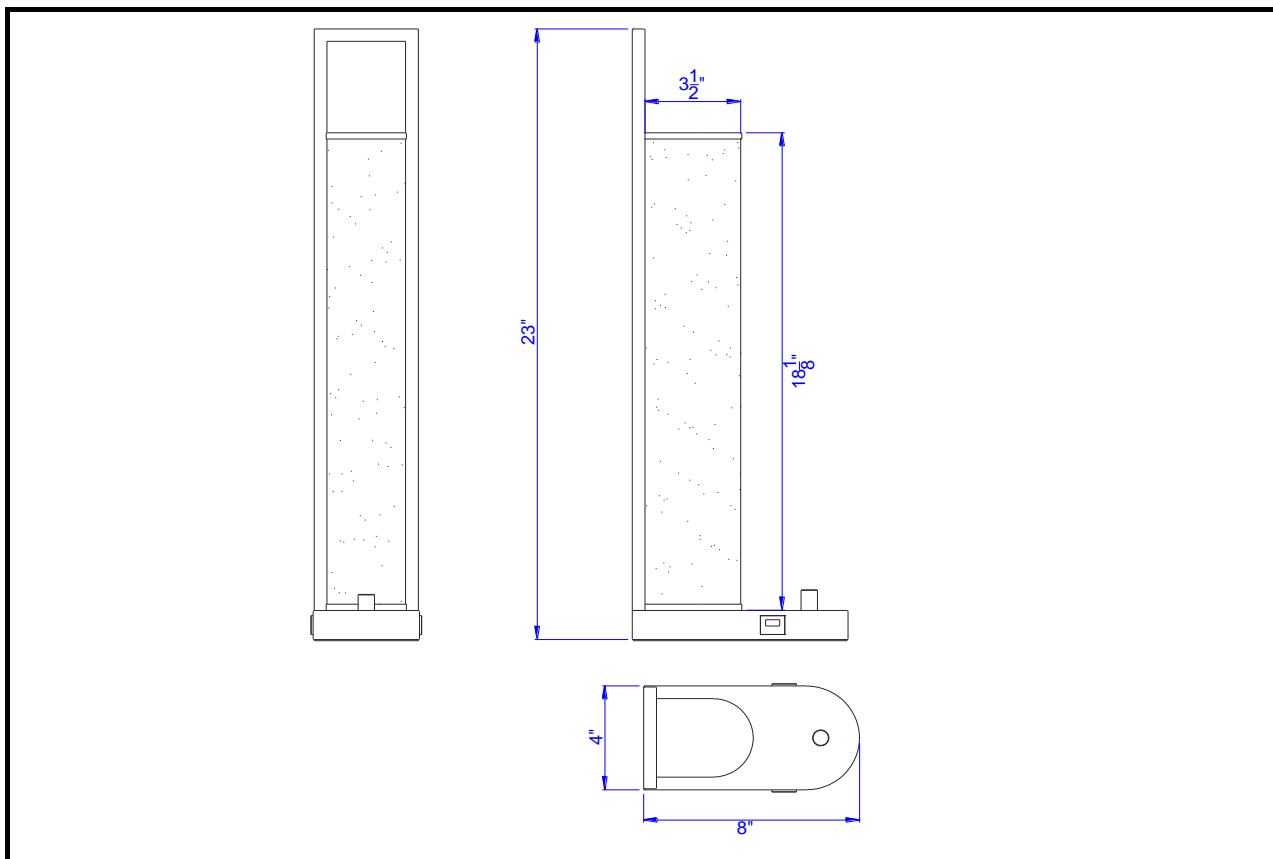
Type: _____

Project: _____

Catalog No.: _____

LA-8032DK-1

Lamp/Wattage: _____



- Model No:** LA-8032DK-1
Description: Zamora Led Metal Night Stand / Table Lamp With Dimmer Switch And 2 Usb Charging Ports
Material: Metal
Finish : Brushed Steel
Height: 23"
Reach/Depth: 8"
Base Width: 4"x8"
Wattage : 15W
Socket : LED
Color Temp: 3000K
Lumen : 1050LM
CRI : 80
Switch: On/off Dimmer
Bulb: LED
USB Port: 2
Wire Length: 6'
Wire Color: Silver
Certificate : 