

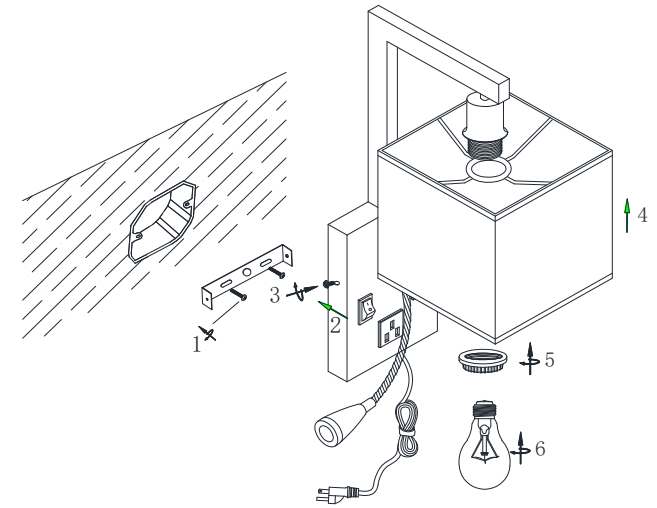
ASSEMBLY INSTRUCTIONS

ITEM NO: LA-8029WL-1-BS

CAREFULLY UNPACK AND PLACE ALL PARTS ON A SMOOTH SURFACE.
THERE ARE TWO VERSION OF THE INSTALLATION FOR THIS ITEM.

A. PORTABLE VERSION:

1. UNSCREW THE MOUNTING BAR (1) FROM THE FIXTURE AND INSTALL THE MOUNTING TO THE JUNCTION BOX.
2. ATTACH THE CANOPY (2) TO THE MOUNTING BAR (1) AND TIGHTEN WITH SCREWS (3).
3. INSTALL THE SHADE (4) TO THE SOCKET AND TIGHTEN IT WITH RING (5)
4. INSTALL RECOMMENDED BULB (6)
5. INSERT THE POWER PLUG INTO A OUTLET AND ENJOY!



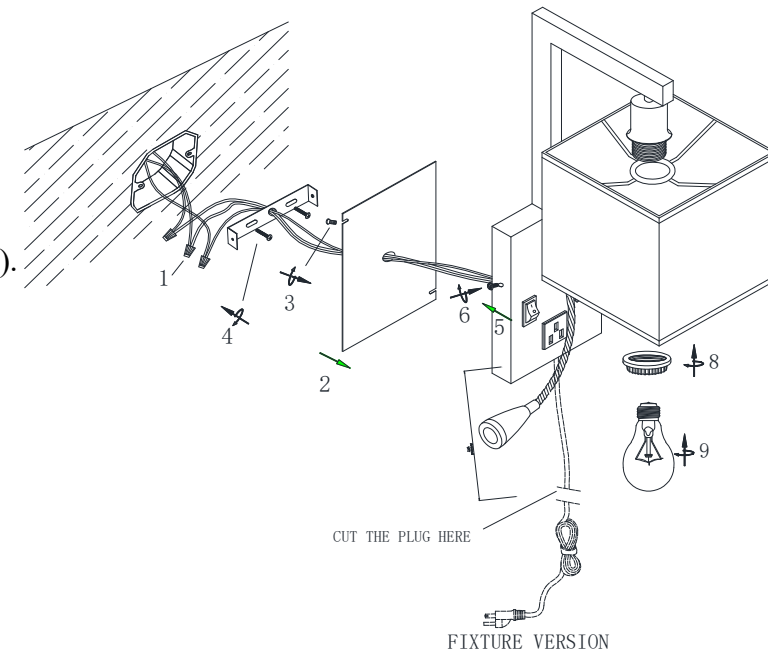
PORTABLE VERSION

B. FIXTURE VERSION:

SHUT OFF MAIN POWER AT CIRCUIT BREAKER.

1. CUT THE PLUG AND LEAVE AROUND 1FT WIRE FROM THE CANOPY.
2. UNSCREW THE MOUNTING BAR(1) AND INSULATION PLATE (2) AND PULL THE WIRE OUT FROM THE BACK OF THE CANOPY AND PUT IT THROUGH THE INSULATION PLATE AND MOUNTING BAR. SEAL THE HOLE WITH THE PLASTIC CAP IN THE ACCESSORY PACKAGE.
3. MAKE WIRE CONNECTIONS ACCORDING TO THE DIAGRAM ON THE RIGHT (1).
4. SCREW THE INSULATION PLACE BACK TO THE CANOPY (2,3).
5. INSTALL THE MOUNTING BAR TO THE JUNCTION BOX WITH SCREWS (4).
6. ATTACH THE CANOPY TO THE MOUNTING BAR AND TIGHTEN WITH SCREWS (5,6).
7. INSTALL THE SHADE (7) TO THE SOCKET AND TIGHTEN IT WITH RING (8)
8. INSTALL RECOMMENDED BULB (9)

TURN ON MAIN POWER AT CIRCUIT BREAKER AND ENJOY!



FIXTURE VERSION

SAVE THESE INSTRUCTIONS FOR FUTURE REFERENCE.