

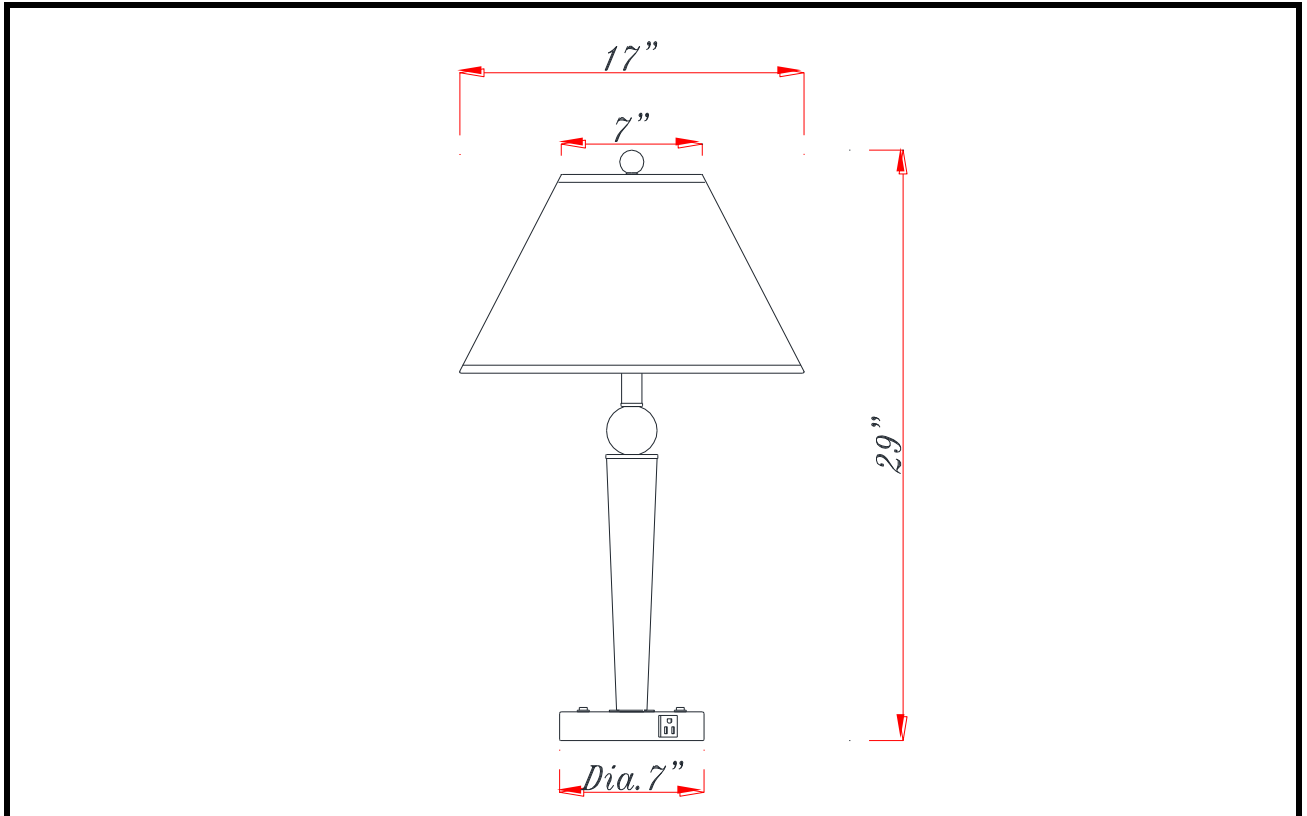


# CAL LIGHTING

3625 E. Philadelphia St. Ontario CA. 91761 • Tel: 909.947.5200 • Fax:  
909.947.5673 • www.calighting.com • service@calighting.com •  
Specifications subject to change without notice

Type: \_\_\_\_\_  
Project: \_\_\_\_\_  
Catalog No.: \_\_\_\_\_  
Lamp/Wattage: \_\_\_\_\_

## Drawing:



**Model No:** LA-8005NS-4RBS  
**Description:** 60Wx2 Metal night stand lamp with rocker switch  
**Material:** Metal  
**Finish :** Brushed Steel/Wood  
**Height:** 29"  
**Base Width:** Dia 7"  
**Harp Size:** 6.5"  
**Wattage :** 60Wx2  
**Socket :** GU24  
**Switch:** Rocker Switch x 2  
**Bulb:** GU24  
**Power Outlet:** 1  
**Ethernet Jack:** None  
**Cord:** SVT 18#  
**Cord Length:** 6'  
**Cord Color:** Black  
**Shade No:** SH-1173  
**Material:** Fabric  
**Shade size:** D7" X 17" X 11"SH

**Certificate :**

