

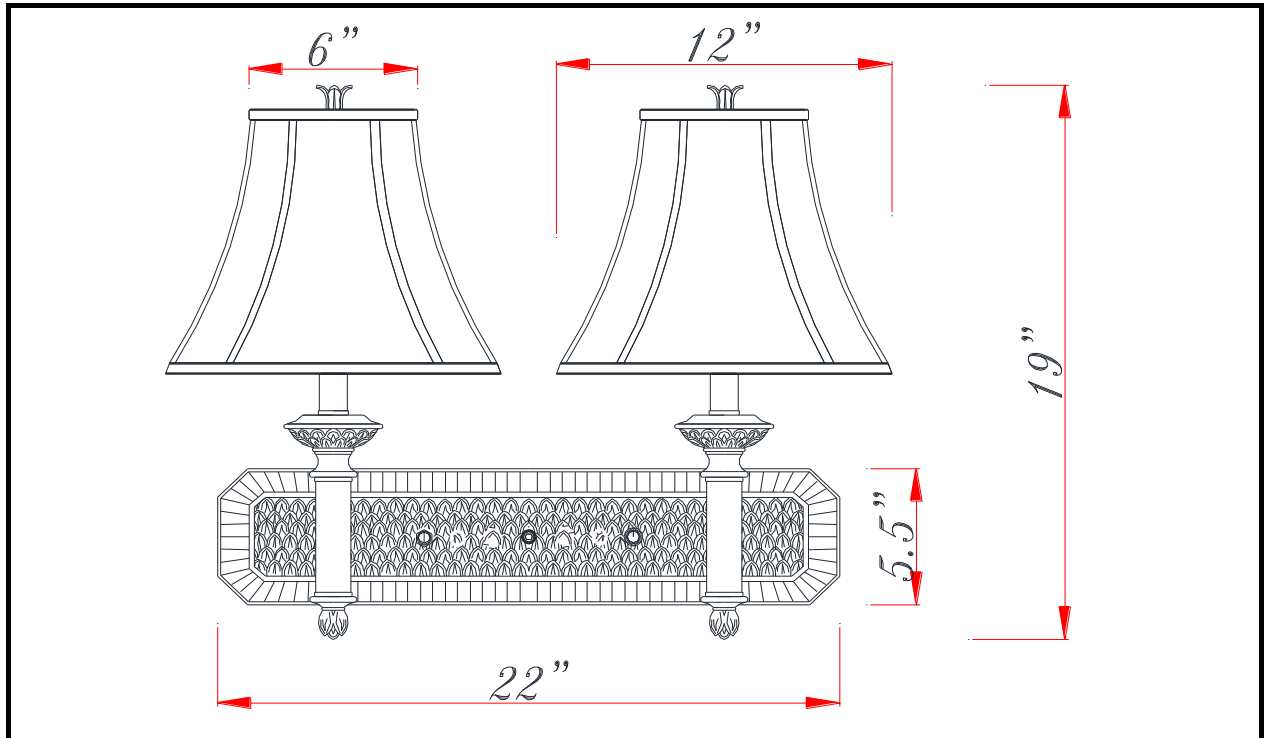


# CAL LIGHTING

3625 E. Philadelphia St. Ontario CA. 91761 • Tel: 909.947.5200 • Fax:  
909.947.5673 • www.calighting.com • service@calighting.com • Specifications  
subject to change without notice

Type: \_\_\_\_\_  
Project: \_\_\_\_\_  
Catalog No.: \_\_\_\_\_  
Lamp/Wattage: \_\_\_\_\_

Drawing:



**Model No:** LA-60001W2L-2  
**Description:** 60Wx2 Pineapple resin/metal fixed arm wall lamp with 3-way push button switch  
**Material:** Metal/Resin  
**Finish :** Antique Silver  
**Height:** 19"  
**Base Width:** 22"x 5 1/2"  
**Harp Size:** 7.5"  
**Wattage :** 60WX2  
**Socket :** Medium Base (E26) X 2  
**Switch:** 3-way push button switch  
**Bulb:** Incandescent,CFL  
**Power Outlet:** N/A  
**Ethernet Jack:** None  
**Cord:** SPT-2  
**Cord Length:** None  
**Cord Color:** BLACK  
**Shade No:** SH-1068  
**Material:** Faux Silk  
**Shade size:** 6"x12"x9"  
**Certificate :**

