

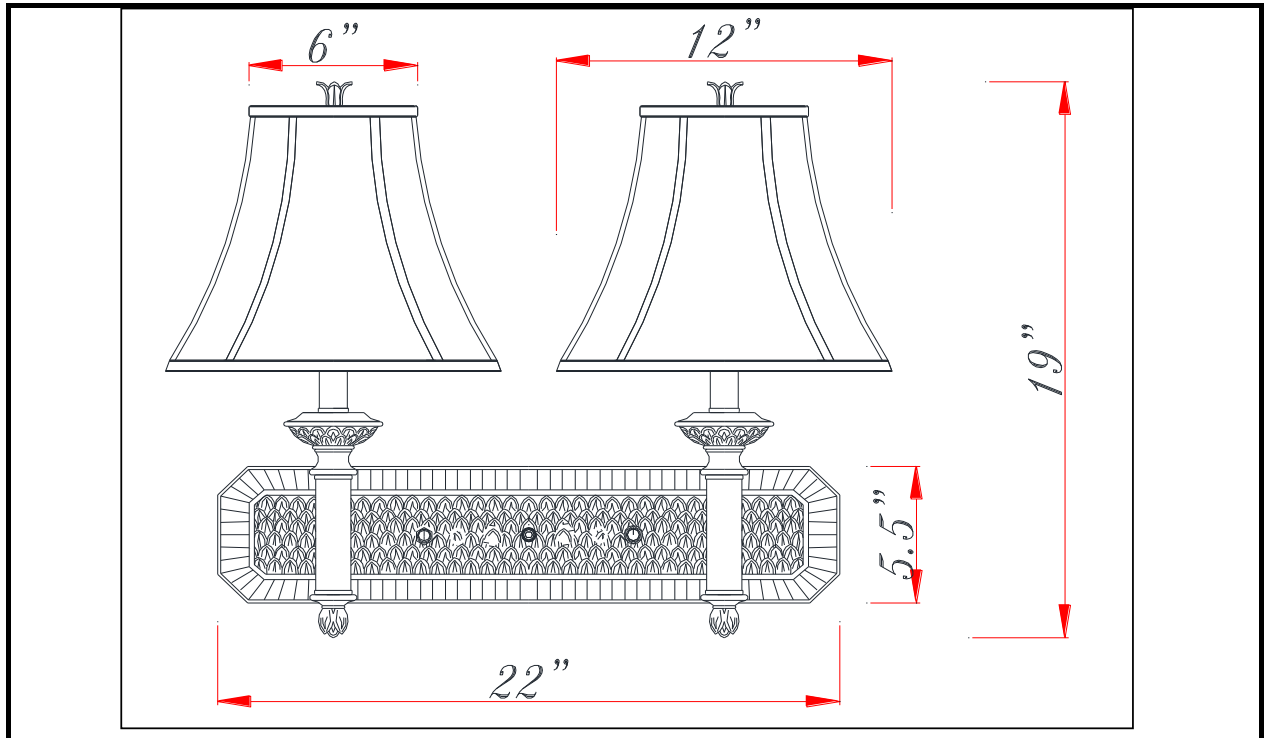


CAL LIGHTING

3625 E. Philadelphia St. Ontario CA. 91761 • Tel: 909.947.5200 • Fax:
909.947.5673 • www.calighting.com • service@calighting.com • Specifications
subject to change without notice

Type: _____
Project: _____
Catalog No.: _____
Lamp/Wattage: _____

Drawing:



Model No: LA-60001W2L-1
Description: 60Wx2 Pineapple resin/metal fixed arm wall lamp with 3-way push button switch
Material: Metal/Resin
Finish : Antique Gold
Height: 19"
Base Width: 22"x 5 1/2"
Harp Size: 7.5"
Wattage : 60WX2
Socket : Medium Base (E26) X 2
Switch: 3-way push button switch
Bulb: Incandescent,CFL
Power Outlet: N/A
Ethernet Jack: None
Cord: SPT-2
Cord Length: None
Cord Color: BLACK
Shade No: SH-1062
Material: Faux Silk
Shade size: 6"x12"x9"

Certificate :

