



CAL LIGHTING

3625 E. Philadelphia St. Ontario CA. 91761 • Tel: 909.947.5200 • Fax:
909.947.5673 • www.calighting.com • service@calighting.com • Specifications
subject to change without notice

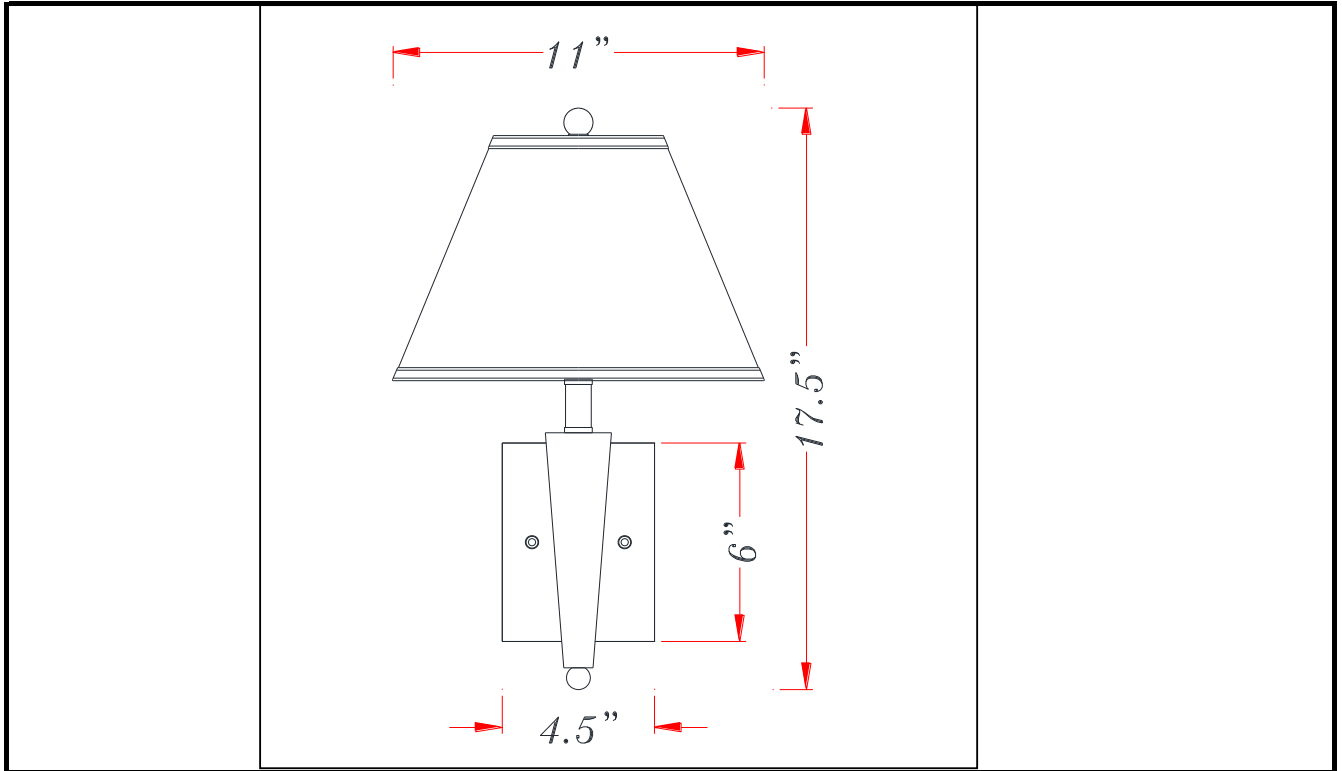
Type: _____

Project: _____

Catalog No.: _____

Lamp/Wattage: _____

Drawing:



- Model No:** LA-2025WL-1BW
- Description:** 60W Murcia metal wall lamp with on/off push-button switch
- Material:** METAL
- Finish :** Brushed Steel/Wood
- Height:** 17-1/2"
- Base Width:** 6"x4.5"
- Harp Size:** 6 1/2"
- Wattage :** 60W
- Socket :** Medium Base (E26)
- Switch:** On/off push-button switch
- Bulb:** Incandescent, CFL
- Power Outlet:** N/A
- Cord:** SPT-2
- Cord Length:** None
- Cord Color:** Silver
- Shade No:** SH-1262
- Material:** Fabric
- Shade size:** 5"x11"x8"

Certificate :

