



# CAL LIGHTING

3625 E. Philadelphia St. Ontario CA. 91761 • Tel: 909.947.5200 • Fax:  
909.947.5673 • www.calighting.com • service@calighting.com • Specifications  
subject to change without notice

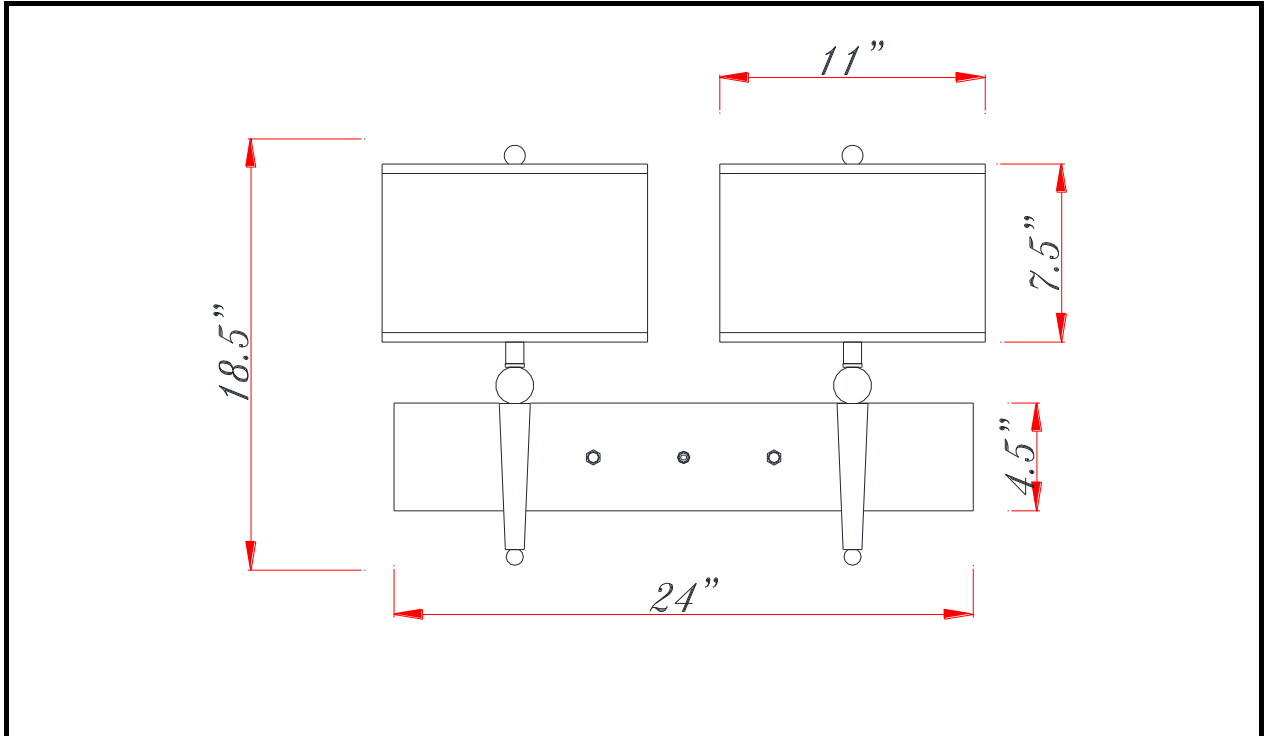
Type: \_\_\_\_\_

Project: \_\_\_\_\_

Catalog No.: \_\_\_\_\_

Lamp/Wattage: \_\_\_\_\_

Drawing:



- Model No:** LA-2007W2L-1CH
- Description:** 60WX2 Messina metal wall lamp with 3-way push-button switch
- Material:** METAL
- Finish :** Chrome
- Height:** 18.5"
- Base Width:** 24"x4.5"
- Harp Size:** 7"
- Wattage :** 60Wx2
- Socket :** Medium Base (E26)
- Switch:** 3-way push-button switch
- Bulb:** Incandescent, CFL
- Power Outlet:** None
- Ethernet Jack:** None
- Cord:** SPT2
- Cord Length:** None
- Cord Color:** Black
- Shade No:** SH-1261
- Material:** Fabric
- Shade size:** 11"X11"X7.5"

Certificate :

