



# CAL LIGHTING

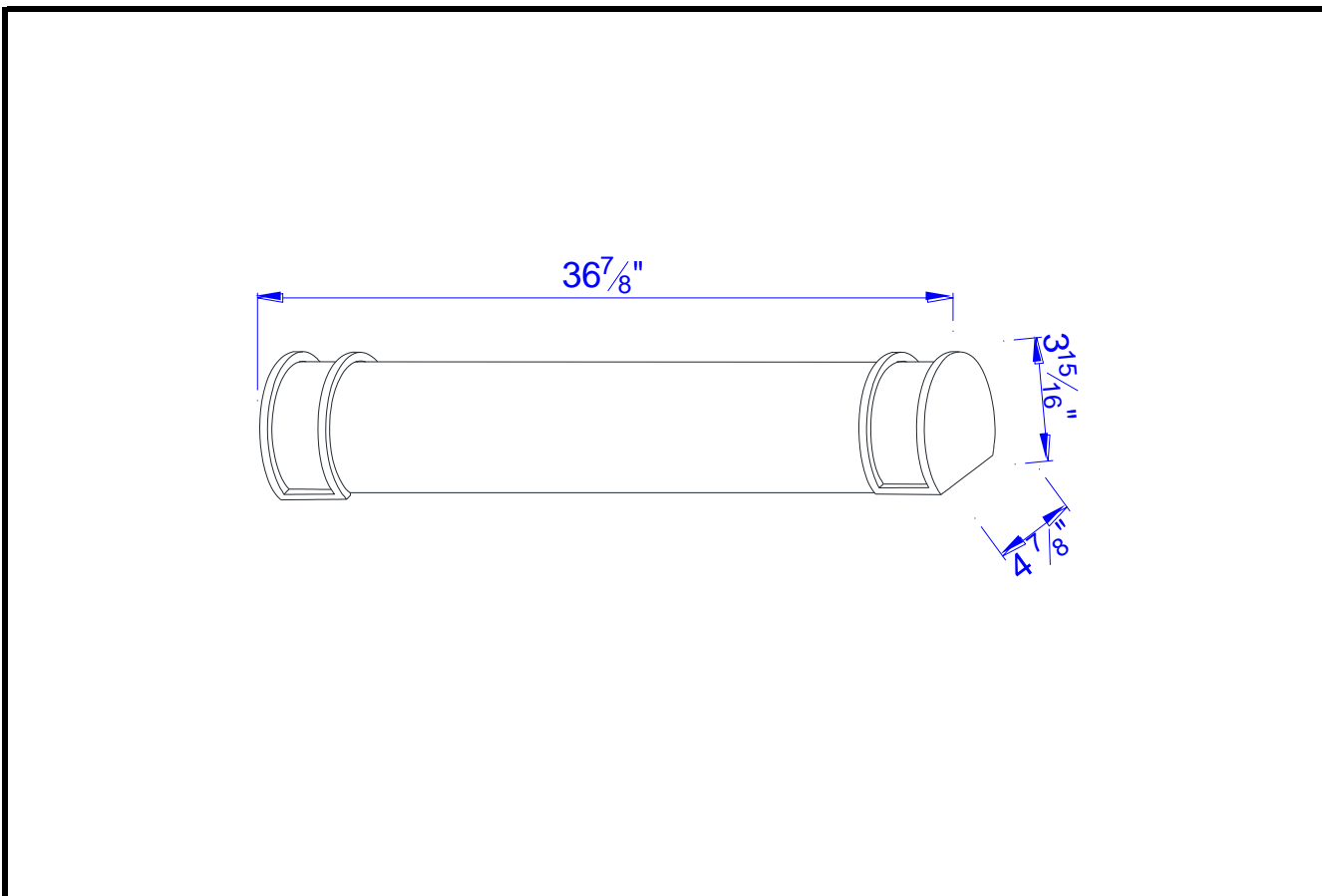
3625 E. Philadelphia St. Ontario CA. 91761 • Tel: 909.947.5200 • Fax:  
909.947.5673 • www.calighting.com • service@calighting.com •  
Specifications subject to change without notice

Type: \_\_\_\_\_

Project: \_\_\_\_\_

Catalog No.: \_\_\_\_\_

Lamp/Wattage: \_\_\_\_\_



**Model No:** LA-197M

**Description:** 25Wx2 T8 Steel/Acrylic vanity bathroom lighting fixture

**Material:** Metal/Acrylic

**Finish :** Brushed Steel

**Height:** H 3 15/16"XW 4 7/8"XL 36 7/8"

**Base Width:**

**Wattage :** 25Wx2

**Socket :** T8

**Switch:**

**Bulb:** T8

**Wire Length:**

**Wire Color:**

**Shade No:**

**Material:** Acrylic

**Shade size:**

**Certificate :** 