

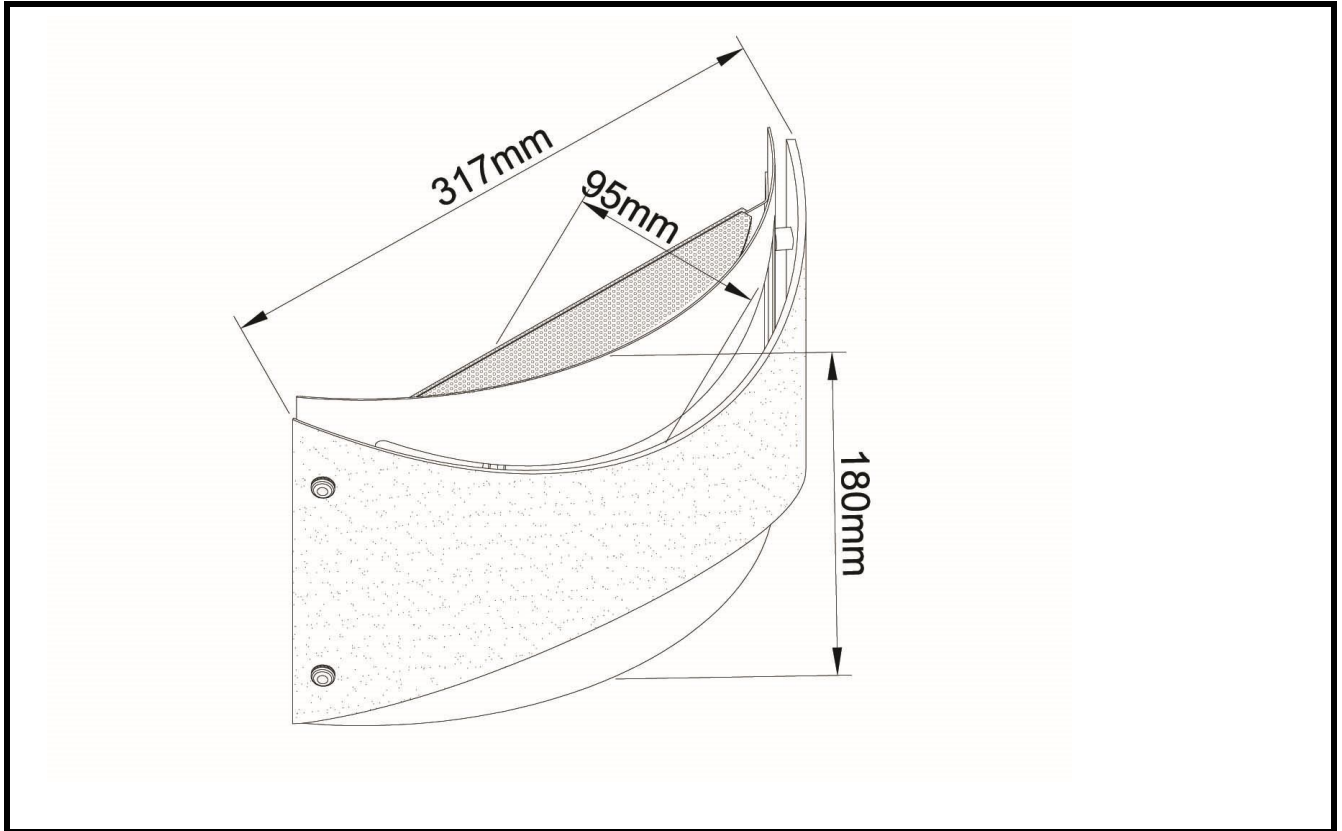


CAL LIGHTING

3625 E. Philadelphia St. Ontario CA. 91761 • Tel: 909.947.5200 • Fax:
909.947.5673 • www.calighting.com • service@calighting.com •
Specifications subject to change without notice

Type: _____
Project: _____
Catalog No.: _____
Lamp/Wattage: _____

Drawing:



Model No: LA-164-RU
Description: 13W PLC Acrylic Wall Lamp with Bulb Steel
Material: Glass+Iron
Finish : Rust
Height: 7"
Width: 12 1/2"
Depth: 3 3/4"
Wattage : PLC13W X1
Socket : G24q-1
Shade size: 7"x12 1/2" x 3 3/4"
Certificate : ETL