

FLUORESCENT WALL MOUNT FIXTURE ASSEMBLY&INSTALLATION INSTRUCTIONS

Please read carefully and save these instructions, as you may need them at a later date.

CAUTION

Turn off the main power at the circuit breaker before installing the fixture, In order to prevent possible shock.

GENERAL

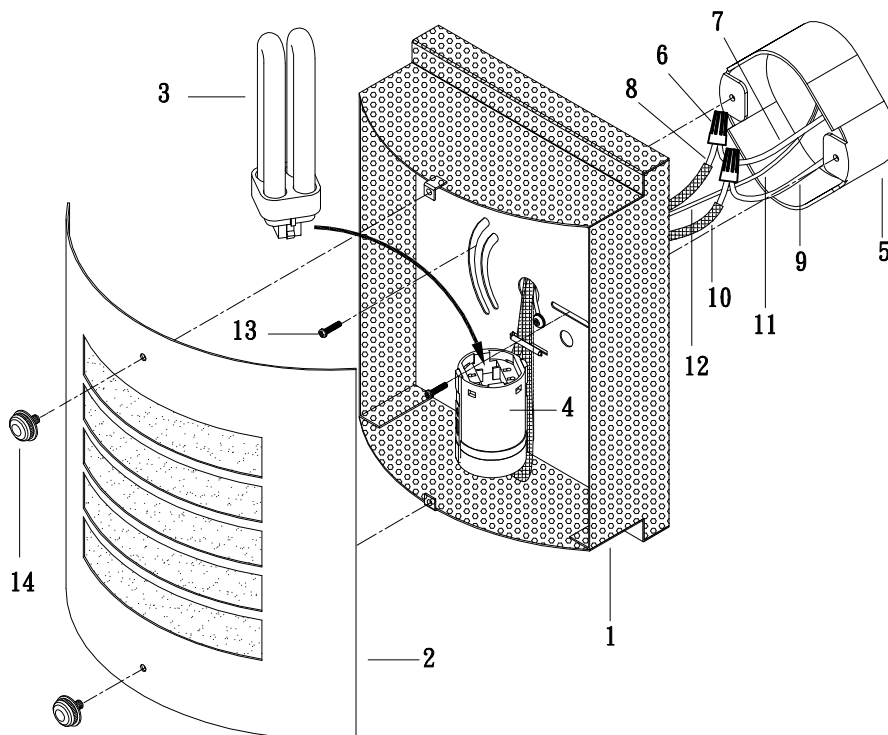
All electrical connections must be in accordance with local and national electrical code (N.E.C) standards. If you are unfamiliar with proper electrical wiring connections obtain the services of a qualified electrician.

Remove the fixture and the mounting package from the box and make sure that no parts are missing by referencing the illustrations on the installation instruction.

ASSEMBLY AND INSTALLATION

1. Screw off the hand screw(14), and take down the cover(2) from the fixture body.
2. Pull the supply wires(7)&(9) and the house ground wire(11) out from the outlet box(5).
3. Make the wiring connections: Connect the white supply wire(7) to the white fixture wire(8), Connect the black supply wire(9) to the black fixture wire(10) Connect the house ground wire(11) to the fixture ground wire(12) using wire connectors(6) then carefully tuck all wires back into the outlet box.
4. Place the wall mount(1) over the outlet box, put the mounting screws(13) through the slots on the wall mount to the outlet box(5) tightly.
5. Install the lamp(3) into the socket(4), Do not exceed recommended maximum wattage.
6. Re-place the cover on the wall mount, put the hand screw through cover to the wall mount tightly.

INSTALLATION IS NOW COMPLETED



1. WALL MOUNT
2. COVER
3. LAMP
4. SOCKET
5. OUTLET BOX
6. WIRE CONNECTOR
7. WHITE SUPPLY WIRE
8. WHITE FIXTURE WIRE
9. BLACK SUPPLY WIRE
10. BLACK FIXTURE WIRE
11. HOUSE GROUND WIRE
12. FIXTURE GROUND WIRE
13. MOUNTING SCREW
14. HAND SCREW